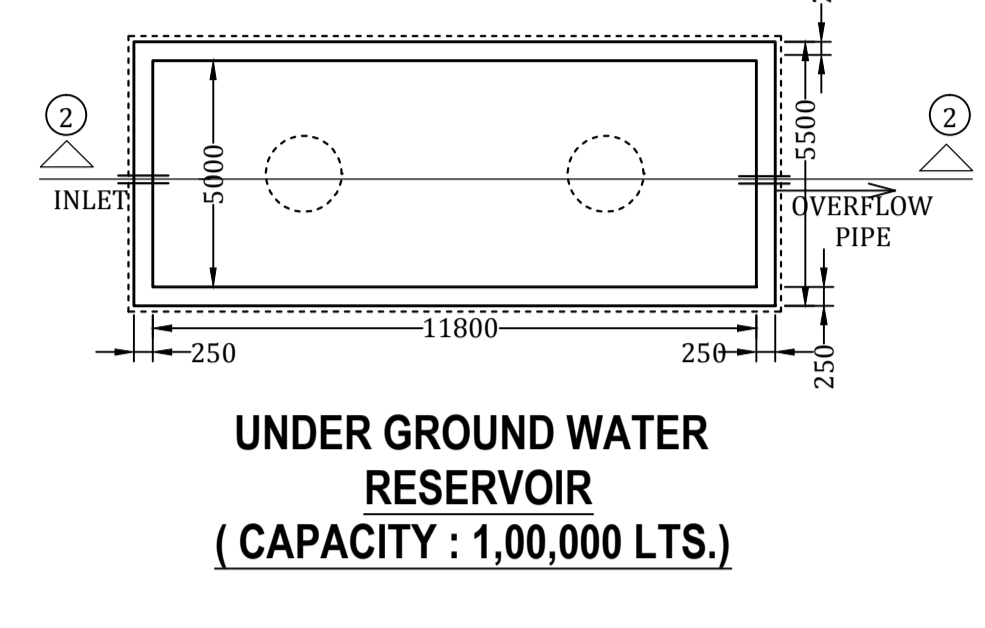
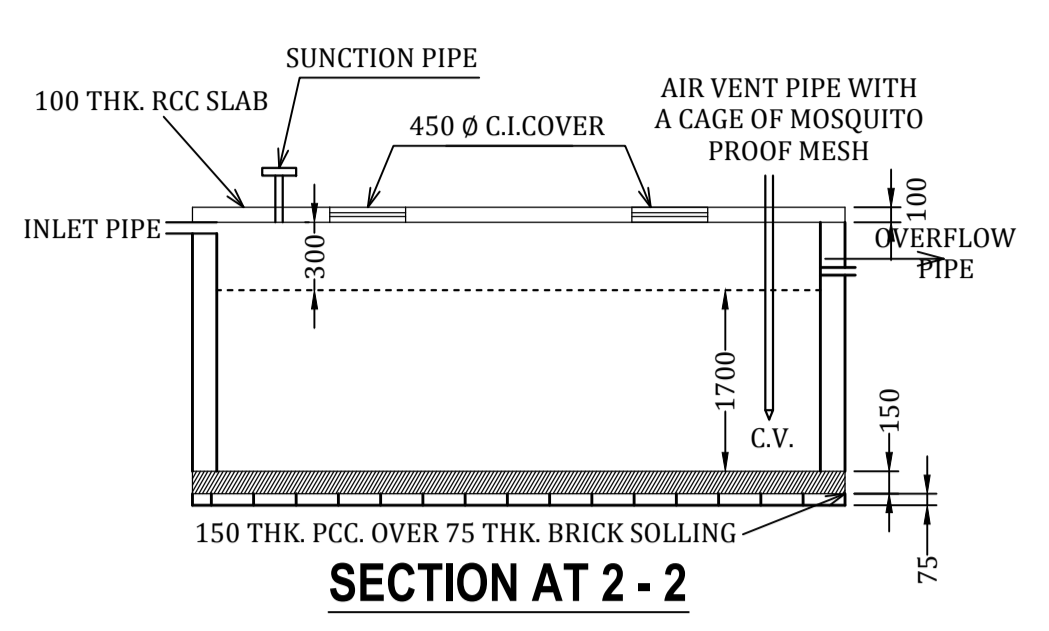
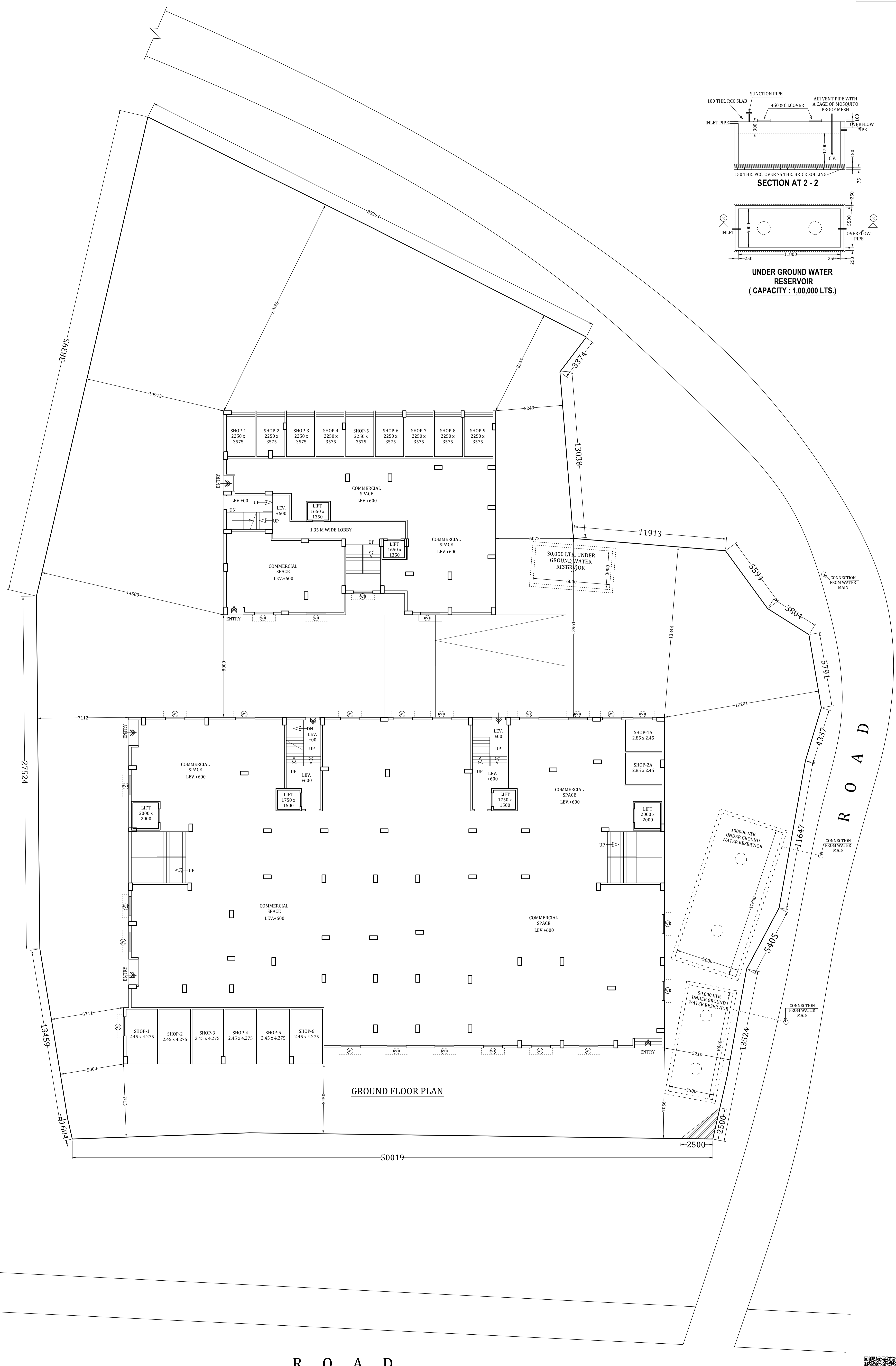
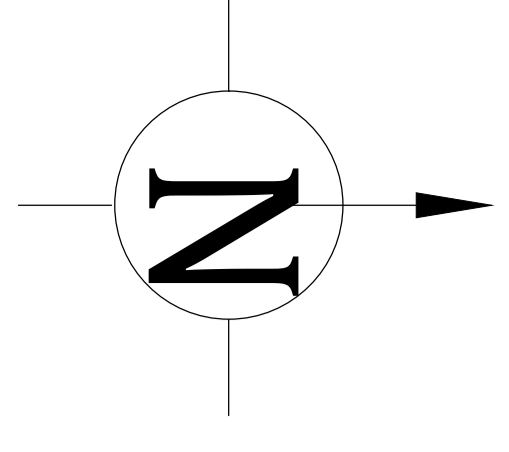


THE WATER SUPPLY LAYOUT PLAN SHOWING THE PROPOSED B+G+VII STORIED COMMERCIAL CUM RESIDENTIAL BUILDING OF 1)Md. SHAMIM AKHTAR. S/O- Md. SAMSUL. WITH CONSTITUTED POWER OF ATTORNEY ADITYA INFRA ON. R.S PLOT NO-1024 ,LR PLOT NO- 1860. LR KHATIAN NO 1741, MOUZA : RANIGANJ, J.L. NO - 24 P.S- RANIGANJ, DISTRICT PASCHIM BARDHAMAN, UNDER ASANSOL MUNICIPAL CORPORATION.



GROUND FLOOR PLAN

R O A D

