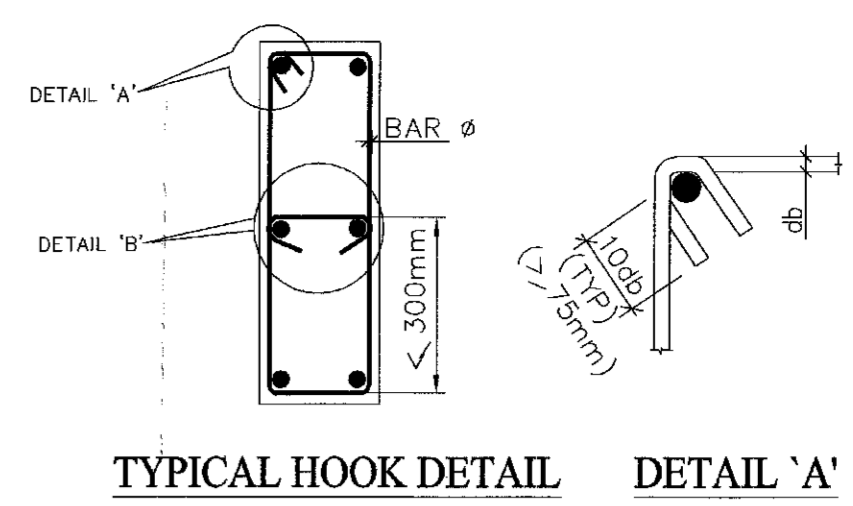
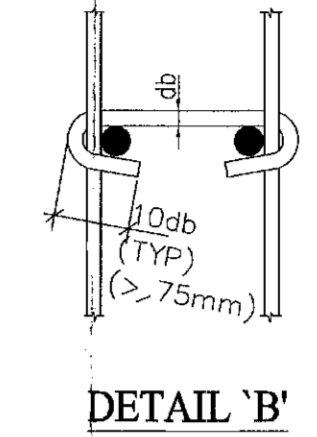


MAIN BARS	●-04T20, ○-12T16	●-04T20, ○-12T16	●-04T20, ○-12T16	●-04T20, ○-12T16	●-04T20, ○-12T16	●-04T20, ○-12T16	●-04T25, ○-12T20	●-08T20, ○-08T16	●-16T16,	●-16T16,	●-16T16,
TIES	T8@200/C	T8@200/C	T8@200/C	T8@200/C	T8@200/C	T8@200/C	T8@200/C	T8@200/C	T8@200/C	T8@200/C	T8@200/C
CONFINEMENT STEEL	T8@100/C	T8@100/C	T8@100/C	T8@100/C	T8@100/C	T8@100/C	T8@100/C	T8@100/C	T8@100/C	T8@100/C	T8@100/C
CONFINEMENT HEIGHT 'h'	'h'=650mm	'h'=650mm	'h'=650mm	'h'=650mm	'h'=650mm	'h'=650mm	'h'=700mm	'h'=700mm	'h'=700mm	'h'=700mm	'h'=700mm
GR.FLOOR LVL TO ROOF LVL	MIX M30 	MIX M30 	MIX M30 	MIX M30 	MIX M30 	MIX M30 	MIX M30 	MIX M30 	MIX M30 	MIX M30 	MIX M30
MAIN BARS	●-04T20, ○-12T16	●-04T20, ○-12T16	●-04T20, ○-12T16	●-04T20, ○-12T16	●-04T20, ○-12T16	●-04T20, ○-12T16	●-04T25, ○-12T20	●-16T16,	●-16T16,	●-16T16,	●-16T16,
TIES	T8@200/C	T8@200/C	T8@200/C	T8@200/C	T8@200/C	T8@200/C	T8@200/C	T8@200/C	T8@200/C	T8@200/C	T8@200/C
CONFINEMENT STEEL	T8@100/C	T8@100/C	T8@100/C	T8@100/C	T8@100/C	T8@100/C	T8@100/C	T8@100/C	T8@100/C	T8@100/C	T8@100/C
CONFINEMENT HEIGHT 'h'	'h'=650mm	'h'=650mm	'h'=650mm	'h'=650mm	'h'=650mm	'h'=650mm	'h'=700mm	'h'=700mm	'h'=700mm	'h'=700mm	'h'=700mm
FROM PILECAP TO GR.FLOOR LVL	MIX M30 	MIX M30 	MIX M30 	MIX M30 	MIX M30 	MIX M30 	MIX M30 	MIX M30 	MIX M30 	MIX M30 	MIX M30
COLUMN TYPE	CONCRETE MIX	PC1 - 4Nos.	PC2 - 1No.	PC3 - 5Nos.	PC4 - 4Nos.	PC5 - 5Nos.	PC6 - 24Nos.	PC7 - 20Nos.	PC8 - 8Nos.	PC9 - 1No.	PC10 - 1No.
COLUMN GRIDS											



TYPICAL HOOK DETAIL DETAIL 'A'

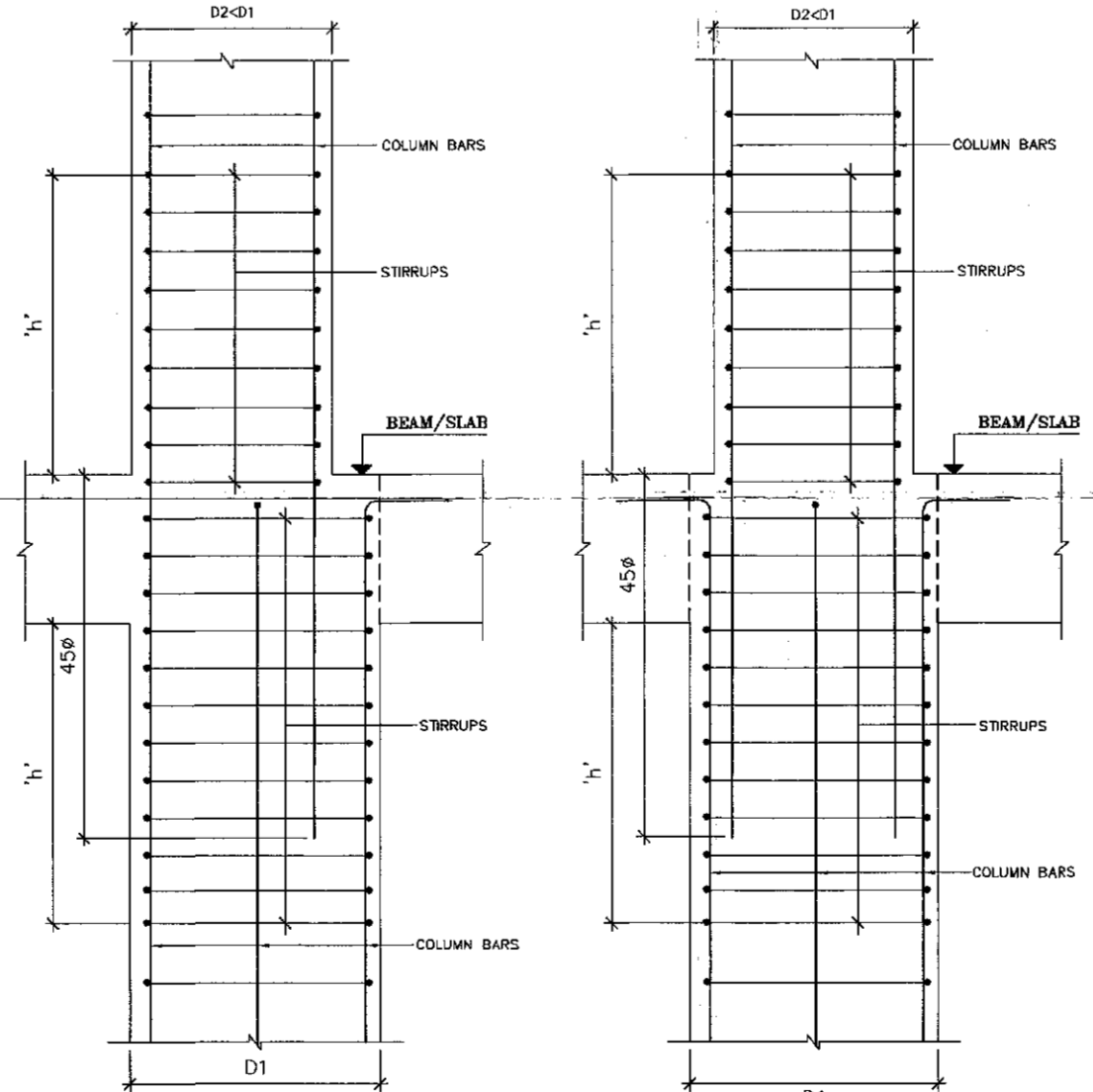


DETAIL 'B'

MAIN BARS	●-16T16,	●-16T16,	●-16T16,	●-04T25, ○-10T20	●-16T16,	●-16T16,	●-12T16, ○-08T12	●-12T16,	●-08T16, ○-06T12	●-08T16, ○-06T12	
TIES	T8@200/C	T8@200/C	T8@200/C	T8@200/C	T8@200/C	T8@200/C	T8@200/C	T8@200/C	T8@200/C	T8@200/C	
CONFINEMENT STEEL	T8@100/C	T8@100/C	T8@100/C	T8@100/C	T8@100/C	T8@100/C	T8@100/C	T8@100/C	T10@100/C	T8@80/C	
CONFINEMENT HEIGHT 'h'	'h'=600mm	'h'=600mm	'h'=600mm	'h'=600mm	'h'=750mm	'h'=600mm	'h'=1200mm	'h'=650mm	'h'=750mm	'h'=600mm	
GR.FLOOR LVL TO ROOF LVL	MIX M30 	MIX M30 	MIX M30 	MIX M30 	MIX M30 	MIX M30 	MIX M30 	MIX M30 	MIX M30 	MIX M30 	
MAIN BARS	●-16T16,	●-16T16,	●-16T16,	●-04T20, ○-10T16	●-16T16,	●-04T25, ○-10T20	●-12T16, ○-08T12	●-12T16,	●-08T16, ○-06T12	●-04T16, ○-10T12	
TIES	T8@200/C	T8@200/C	T8@200/C	T8@200/C	T8@200/C	T8@200/C	T8@200/C	T8@200/C	T8@200/C	T8@200/C	
CONFINEMENT STEEL	T8@100/C	T8@100/C	T8@100/C	T8@100/C	T8@100/C	T8@95/C	T8@95/C	T8@80/C	T10@100/C	T8@80/C	
CONFINEMENT HEIGHT 'h'	'h'=600mm	'h'=600mm	'h'=600mm	'h'=600mm	'h'=750mm	'h'=600mm	'h'=1200mm	'h'=650mm	'h'=750mm	'h'=600mm	
FROM PILECAP TO GR.FLOOR LVL	MIX M30 	MIX M30 	MIX M30 	MIX M30 	MIX M30 	MIX M30 	MIX M30 	MIX M30 	MIX M30 	MIX M30 	
COLUMN TYPE	CONCRETE MIX	PC11 - 11Nos.	PC12 - 3Nos.	PC13 - 1No.	PC14 - 8Nos.	PC23 - 1No.	PC32 - 1No.	PC33 - 2Nos.	PC34 - 2Nos.	PC34A - 1No.	PC35 - 2Nos.
COLUMN GRIDS											

MAIN BARS	●-20T25, ○-06T20
TIES	T8@200/C
CONFINEMENT STEEL	T8@100/C
CONFINEMENT HEIGHT 'h'	'h'=1300mm
PODIUM LVL TO BANQUET ROOF	MIX M50
MAIN BARS	●-26T20,
TIES	T8@200/C
CONFINEMENT STEEL	T8@100/C
CONFINEMENT HEIGHT 'h'	'h'=1300mm
GR.FLOOR LVL TO PODIUM LVL	MIX M50
MAIN BARS	●-12T20, ○-14T16
TIES	T8@200/C
CONFINEMENT STEEL	T8@100/C
CONFINEMENT HEIGHT 'h'	'h'=1300mm
FROM PILECAP TO GR.FLOOR LVL	MIX M50
COLUMN TYPE	CONCRETE MIX
COLUMN GRIDS	PC17 - 1No.

MAIN BARS	●-08T20, ○-06T16	●-08T16, ○-04T12	●-12T16,	●-10T16,	●-08T20, ○-08T16	
TIES	T8@200/C	T8@200/C	T8@200/C	T8@200/C	T8@200/C	
CONFINEMENT STEEL	T8@85/C	T8@80/C	T8@80/C	T10@90/C	T8@75/C	
CONFINEMENT HEIGHT 'h'	'h'=750mm	'h'=625mm	'h'=600mm	'h'=625mm	'h'=900mm	
GR.FLOOR LVL TO ROOF LVL	MIX M30 	MIX M30 	MIX M30 	MIX M30 	MIX M30 	
MAIN BARS	●-14T16,	●-08T16, ○-04T12	●-08T16, ○-04T12	●-10T16,	●-08T16, ○-08T12	
TIES	T8@200/C	T8@200/C	T8@200/C	T8@200/C	T8@200/C	
CONFINEMENT STEEL	T8@85/C	T8@80/C	T8@80/C	T10@90/C	T8@75/C	
CONFINEMENT HEIGHT 'h'	'h'=750mm	'h'=625mm	'h'=600mm	'h'=625mm	'h'=900mm	
FROM PILECAP TO GR.FLOOR LVL	MIX M30 	MIX M30 	MIX M30 	MIX M30 	MIX M30 	
COLUMN TYPE	CONCRETE MIX	PC31 - 16Nos.	PC38 - 10Nos.	PC38A - 1No.	PC39 - 4Nos.	PC40 - 4Nos.
COLUMN GRIDS						



REDUCING COLUMN SIZE
SPACING AT THE FLOOR LEVEL WHEN THE RELATIVE DISPLACEMENT OF COLUMN FACES IS MORE THAN 75 mm.

NOTE:
WHERE 'h' IS THE MAXIMUM OF FOLLOWING AS PER CLAUSE 7.4.1 OF IS-13920
1) LARGER LATERAL DIMENSION OF THE COLUMN
2) 1/6 OF THE FLOOR HEIGHT.
3) 450 MM

NOT MORE THAN 50% OF THE BARS SHALL BE SPICED AT ANY LAP ZONE
IF THE 'h' IS GREATER THAN FLOOR HEIGHT, THE POSITION OF THE LAP SHALL BE AT MID HEIGHT OF THE FLOOR

SPECIFICATIONS:-

- ALL DIMENSIONS ARE IN MILLIMETRES UNLESS OTHERWISE STATED.
- ALL EXTERNAL WALLS ARE 200 mm & ALL INTERNAL WALLS ARE 125mm.
- THE DEPTH OF S.U.G.W.R. & SEPTIC TANK SHALL NEVER EXCEED THE DEPTH OF FOUNDATION.
- ERICK WORK 200 H. MORTAR 1:5 & ERICK WORK 125 H. MORTAR 1:4
- ALL R.C. WORKS EXCEPT FOUNDATION M&S
- GRADE OF STEEL FE 415 IS CODE IS 1786 1979
- ALL SHORTS OF PRECAUTIONARY MEASURE WILL BE TAKEN AT THE TIME OF CONSTRUCTION.
- OTHERS ITEM ARE AS PER I.S. SPECIFICATION

DECLARATION OF GEO-TECHNICAL ENGINEER

UNDERSIGNED HAS INSPECTED THE SITE AND CARRIED OUT SOIL INVESTIGATION THEREON. I DO CERTIFY THAT THE EXISTING SOIL OF THE SITE IS ABLE TO CARRY THE LOAD COMING FROM THE PROPOSED CONSTRUCTION AND THE FOUNDATION SYSTEM PROPOSED HEREIN IS SAFE AND STABLE IN ALL RESPECT FROM GEO-TECHNICAL POINT OF VIEW

Jishnu Pal
JISHNU PAL
B.Tech (Civil), M.E (Geo-tech)
KMC Reg. No: G.T/1/92
GTER/NKDA/10/0043
22/RJSON/G-T-1/2016-17
HMC Reg. No: EGTE/CLASS-1/15

SIGNATURE OF GEO-TECHNICAL ENGINEER
I HAVE REVIEWED / CHECKED THE STRUCTURAL DRAWING AND DESIGN DETAILS OF THIS PROJECT WHICH HAS BEEN SUBMITTED TO ME. I DO CERTIFY THAT THE STRUCTURE WILL BE SAFE & STABLE AGAINST ALL VERTICAL AND LATERAL LOADS AND WILL BE FIT FOR INTENDED USE.

Utpal Santra
UTPAL SANTRA
B. C. E., M. C. E. (STRUCT.)
F. I. E. - F212601
KMC Empowered Structural Reviewer
E. S. R. - (I) 58710

SIGN OF STRUCTURAL REVIEWER

CERTIFICATE OF STRUCTURAL ENGINEER

THIS IS TO CERTIFY THAT THE STRUCTURAL DESIGN AND DRAWING OF BOTH FOUNDATION AND SUPER STRUCTURE OF THE BUILDING HAS BEEN MADE BY ME CONSIDERING ALL POSSIBLE LOADS INCLUDING THE SEISMIC LOAD AS PER THE NATIONAL BUILDING CODE OF INDIA AND CERTIFIED THAT IT IS SAFE AND STABLE IN ALL RESPECTS.

Sumita DeY
SUMITA DEY
M.C.E., M.I.E., C.E.
ESE/1/93

SIGNATURE OF STRUCTURAL ENGINEER

WE DO HEREBY UNDERTAKE WITH FULL RESPONSIBILITY THAT - (1) WE SHALL ENGAGE ARCHITECT & E.S.E. DURING CONSTRUCTION. (2) WE SHALL FOLLOW THE INSTRUCTION OF ARCHITECT & E.S.E. DURING CONSTRUCTION OF THE BUILDING (AS PER B.P.LAN). (3) K.M.C. AUTHORITY WILL NOT BE RESPONSIBLE FOR STRUCTURAL STABILITY OF THE BUILDING & ADJOINING STRUCTURE. (4) IF ANY SUBMITTED DOCUMENTS ARE FOUND TO BE FAKE, THE K.M.C. AUTHORITY WILL REVOKE THE SANCTION PLAN. (5) THE CONSTRUCTION OF WATER RESERVOIR AND SEPTIC TANK WILL BE UNDER THE GUIDANCE OF ARCHITECT / E.S.E.

For Kolkata Metropolitan Development Authority

Subir Kumar Basu
SUBIR KUMAR BASU
Registered Architect
Regn. No. - CA/78/4375

SIGNATURE OF ARCHITECT

PROJECT-

PROPOSED ADDITION OF 4 NOS. FLOOR (HT-100.1 M.) OVER AN EXISTING B+G+27 STORED 3 NOS TOWERS RESIDENTIAL BUILDING WITH PODIUM AND G+V & G+VI STORED REHABILITATION BLOCK U/S 394 OF K.M.C. ACT 1980 READ WITH 69A(1)(a), ALONG WITH U/R 26(2a)&(2b) OF K.M.C. BUILDING RULE 2009 AT PREMISES NO. P-1/3 CUT. SCHEME (VII - M), MANICKTALA, WARD - 32, BOROUGH - III, KOLKATA - 700 054.

PREVIOUS B.P. NO. 2012030110, DATED - 23.03.13.
SUBSEQUENTLY REVALUED FURTHER 5 YEARS

Architect:
Subir Kumar Basu
CONSULTING ARCHITECTS & ENGINEERS
4BROAD STREET KOLKATA - 700019
website : www.subirkumarbasu.com

Civil & Structural Consultants:
M.N. CONSULTANTS (Pvt) Ltd.
MINC HOUSE
1516, BALDANGAN MAIN ROAD
KOLKATA - 700 107
Ph.no. - 913324418082/913340165700
FAX No. 913324418083
E-MAIL: mncorp2008@gmail.com

Title:
SCHEDULE OF COLUMNS SHEET-1

Drawn: A.M. Scale: AS SHOWN Date: 10.10.2023
Job No. 2338 Drawing No. CORP-S60-00-01

THIS DRAWING IS THE PROPERTY OF M.N. CONSULTANTS (PVT.) LTD. AND IS NOT TO BE REPRODUCED OR USED IN ANY MANNER WITHOUT THE WRITTEN PERMISSION OF M.N. CONSULTANTS (PVT.) LTD.

PARTY'S COPY

Structural plan and design calculation as submitted by the structural engineer have been kept with B.P. No. 2023 of 3 of 55 Date 13.10.2023 for record of the Kolkata Municipal Corporation without verification. No deviation from the submitted structural plan should be made at the time of erection without submitting fresh structural plan along with design calculation and stability certificate in the prescribed form. Necessary steps should be taken for the safety of the adjoining premises public and private properties and safety of human life during construction.

[Signature]
EXECUTIVE ENGINEER/ASST. ENGINEER
BOROUGH NO. — *[Signature]*

Necessary steps should be taken for the safety of the lives of the adjoining public and private properties during construction.

RESIDENTIAL BUILDING

Building Department
Borough-III, K.M.C.
Date: 13.10.23. Sign: *[Signature]*
Contents Not Verified