

SCHEDULE OF R.C.C. COLUMNS				
COLUMN MKD.	SIZE & REIN. FROM BASE TO 2ND.FL. LVL.	SIZE & REIN. FROM 2ND. FL. LVL. TO 3RD.FL. LVL.	SIZE & REIN. FROM 3RD. FL. LVL. TO ABOVE.FL. LVL.	STIRRUP
C6,C8,C9, C11,C14, C15,C16,C17, C18,C19,C23, C25,C26.	300 X 500 6-16 @ 4-16 @	300 X 400 4-16 @ 2-12 @	300 X 400 6-12 @ 4-12 @	REFER COLUMN SECTION
C1,C2,C3, C4,C5,C7, C10,C12, C13,C20,C21, C22,C24,C27.	300 X 500 4-16 @	300 X 400 2-16 @ 2-12 @	300 X 400 4-12 @	REFER COLUMN SECTION



APPROVE

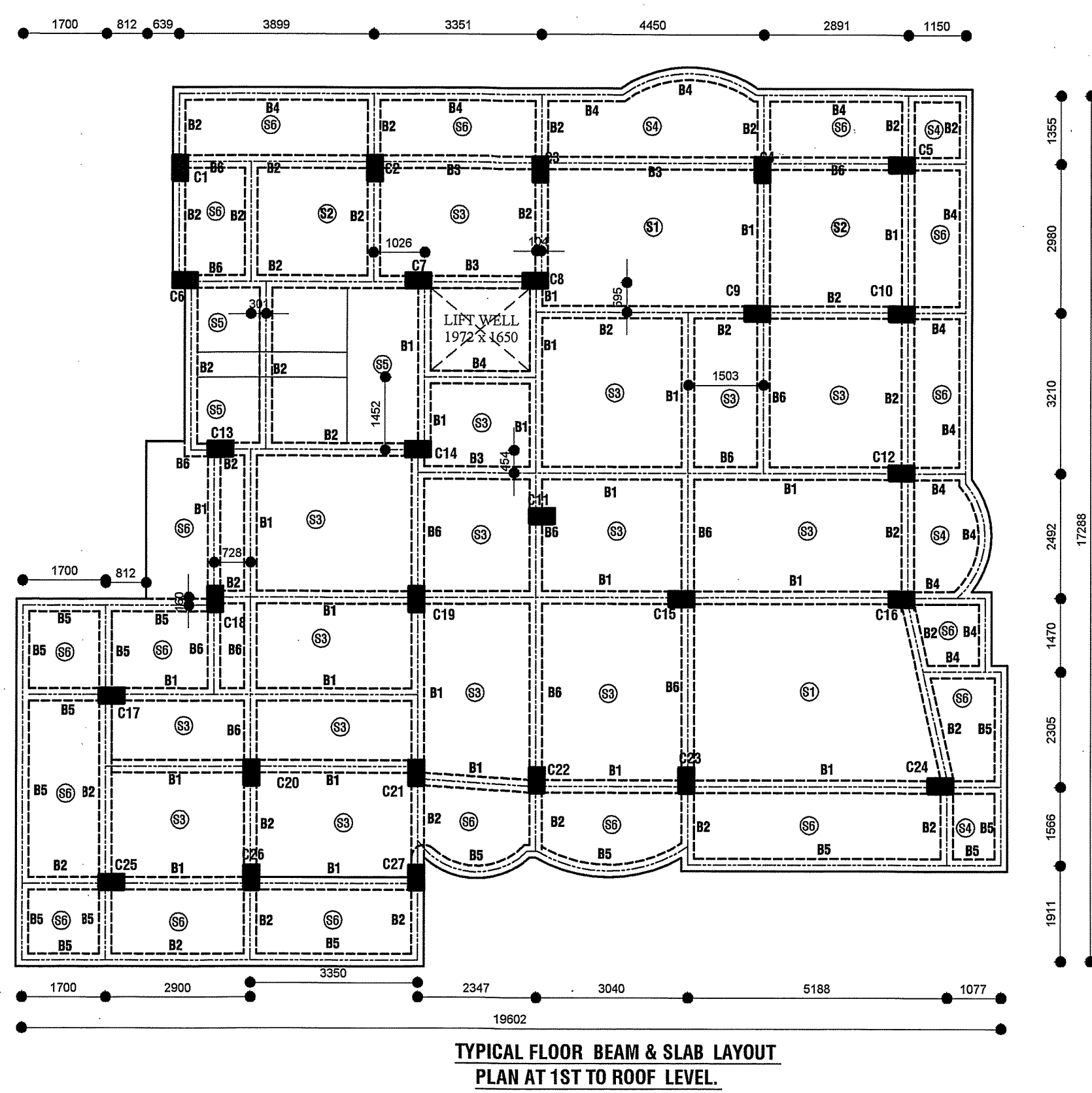
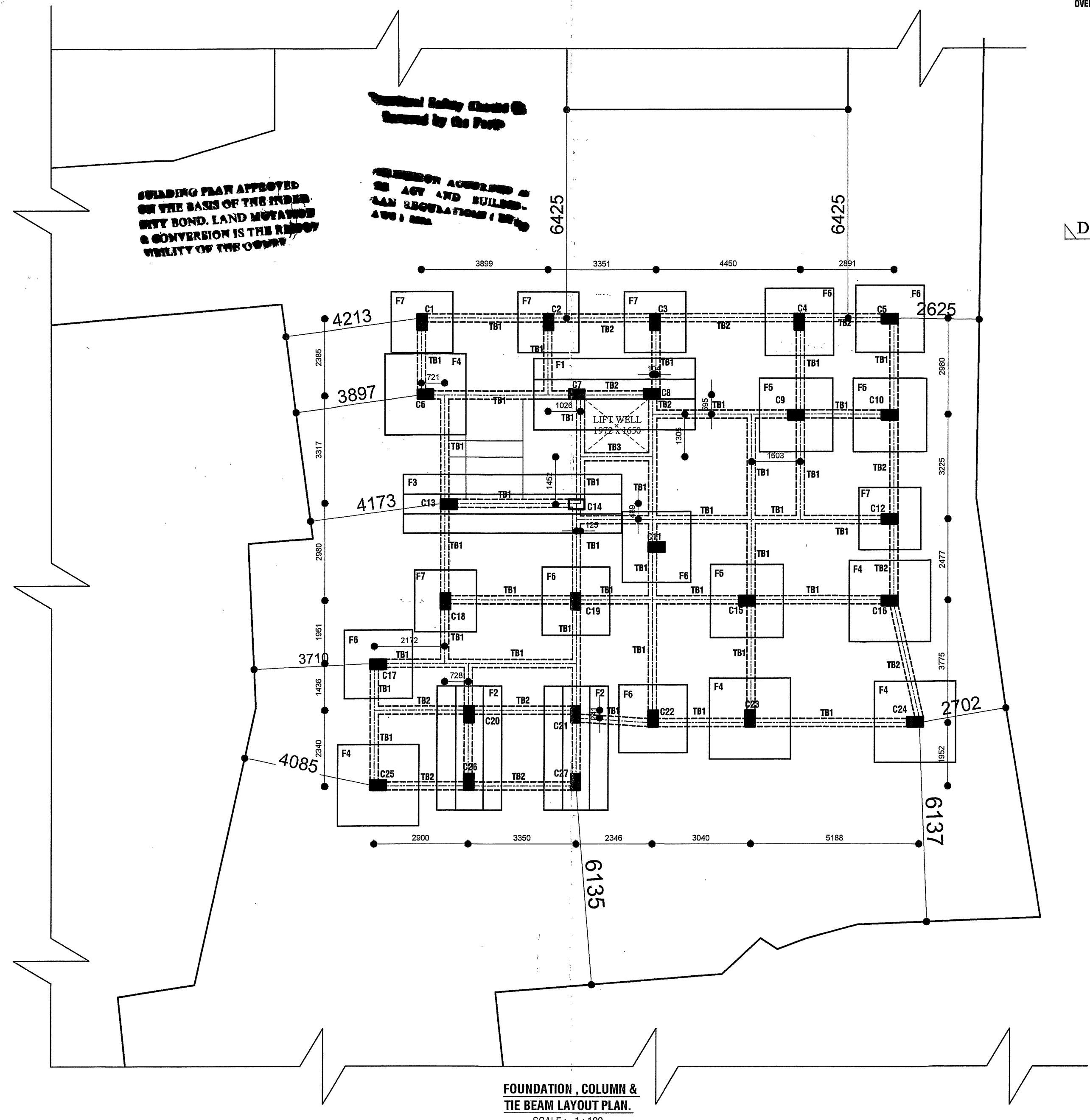
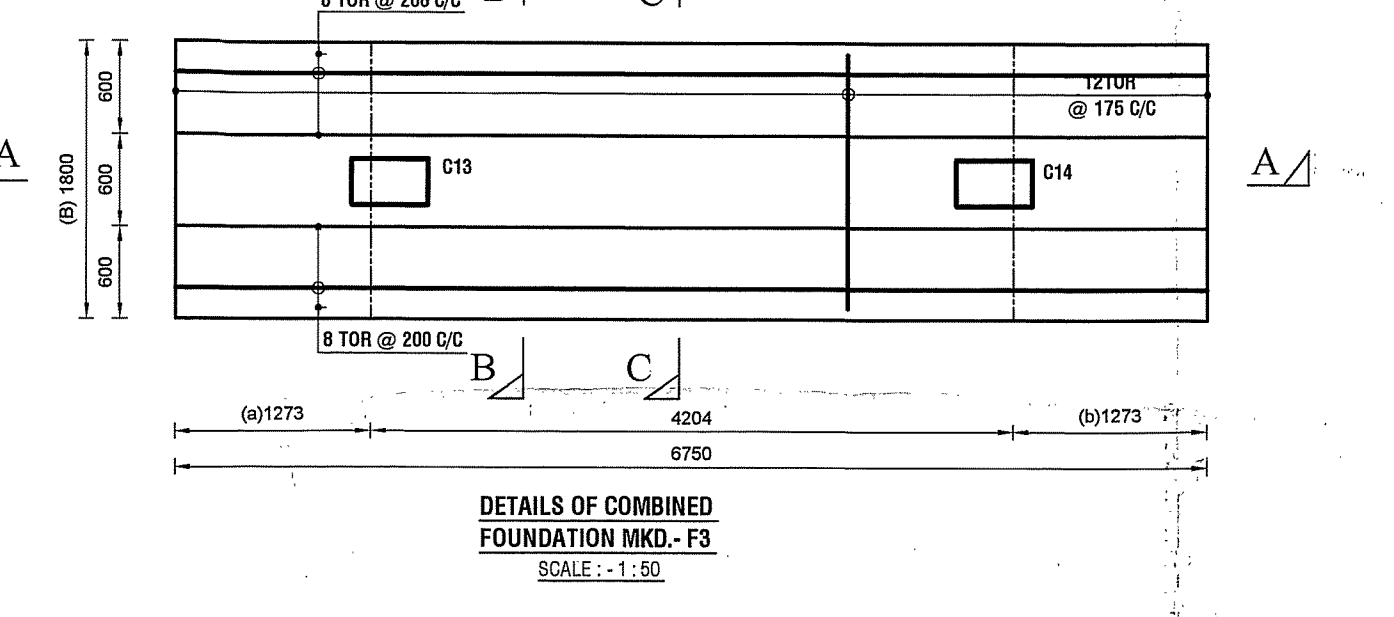
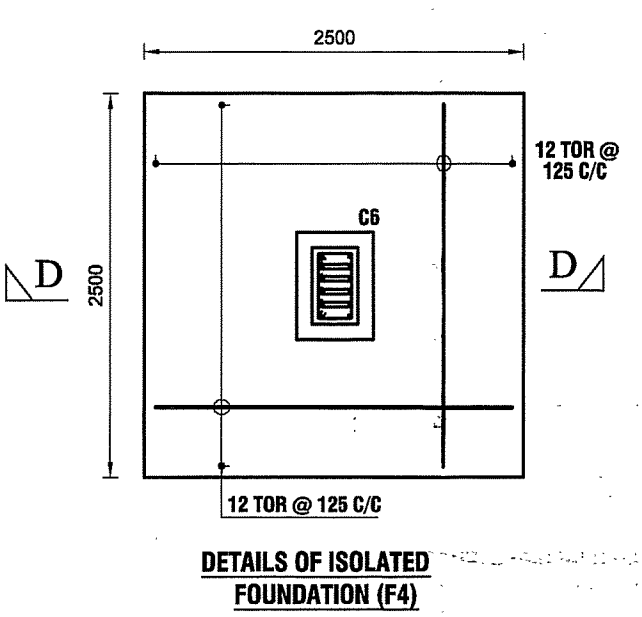
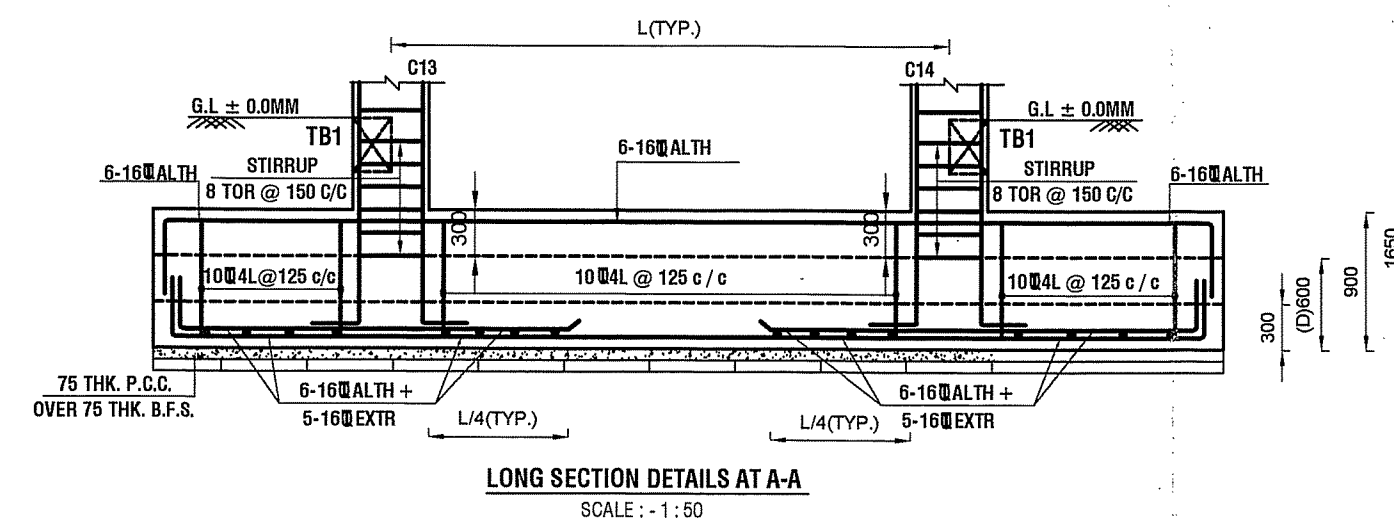
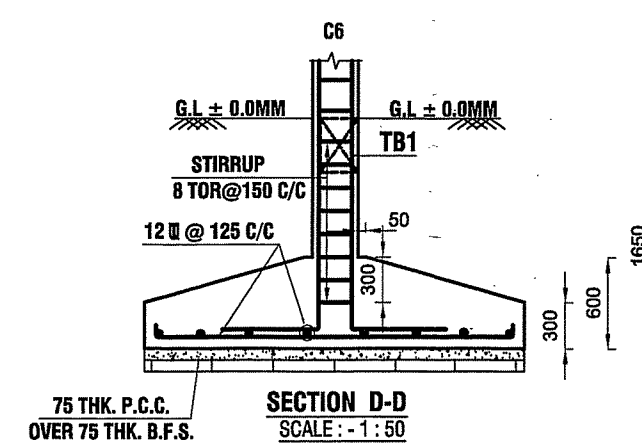
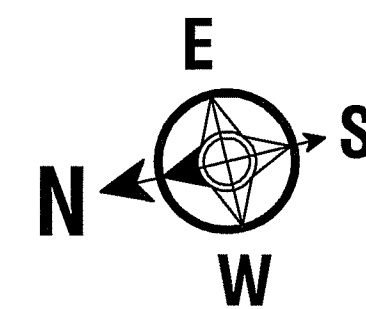
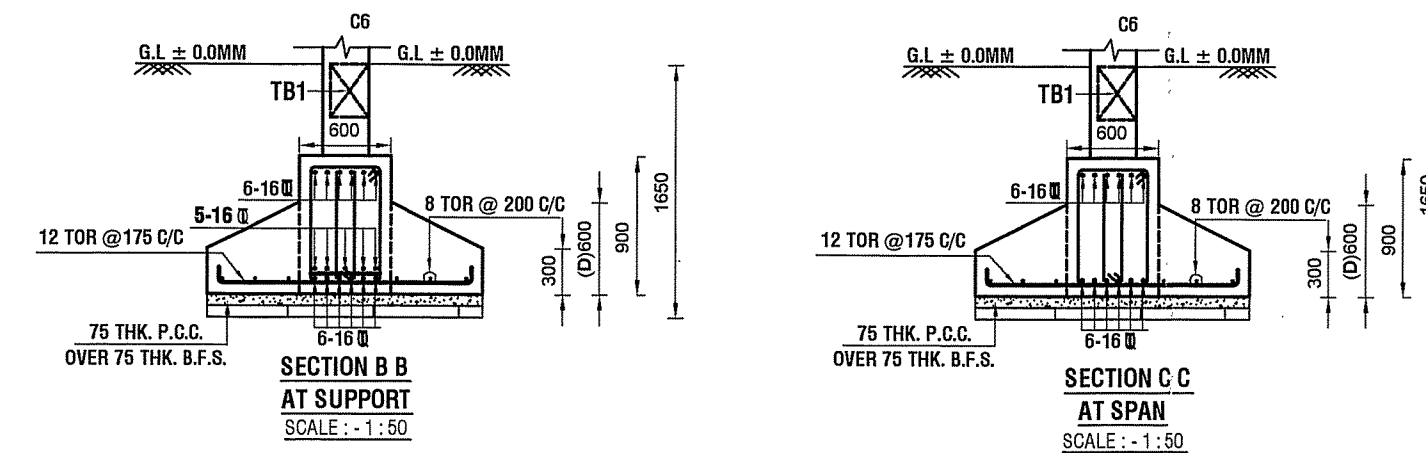
PLAN No. CB/456/18
APN
20
21
20.06.2020

Commissioner
Durgapur Municipal Corporation

Mohan Lal Majee,
Planner-in-Charge, Building Plan,
Durgapur Municipal Corporation

SCHEDULE OF COMBINED FOUNDATIONS													
FDN. MKD.	UNDER COLUMN	SIZE OF FDN.	SLAB DIMENSIONS				INVERTED RIB BEAM				FOOTING		
			(a) M	(b) M	(D) M	BEAM SIZE	LONG REIN. AT SUPP. SPAN		LONG REIN. AT MID. SPAN		TERANVERSE REINFORCEMENT	LONG REINFORCEMENT	
			AT HEEL	AT TOE	TO	X	TOP	BOTTOM	TOP	BOTTOM			
F1	C7+C8	2200 X 5000	1.625 AT C7	1.425 AT C8	2.2	600 TO 300	6-16 @ 100	6-16 @ 100	6-16 @ 100	6-16 @ 100	10 @ 4L @ 125 c/c	12 @ 175 c/c	8 @ 200 c/c
F2	C20+C26 C21+C27	2000 X 3825	1.058 AT C20,C21	0.50 AT C26,C27	2.0	600 TO 300	6-16 @ 100	6-16 @ 100	6-16 @ 100	6-16 @ 100	10 @ 4L @ 125 c/c	12 @ 175 c/c	8 @ 200 c/c
F3	C13+C14	1800 X 6750	1.425 AT C13	1.650 AT C14	1.80	600 TO 300	6-16 @ 100	6-16 @ 100	6-16 @ 100	6-16 @ 100	10 @ 4L @ 125 c/c	12 @ 175 c/c	8 @ 200 c/c

SCHEDULE OF ISOLATED FOUNDATIONS					
FDN. MKD.	UNDER COLUMN	SIZE OF FDN.	THICKNESS MM.		REIN. BOTHWAYS AT BOTTOM
			AT HEEL	AT TOE	
F4	C6,C16,C23, C24,C25	2500X2500	600	300	12 TOR @ 125/C
F5	C9,C10,C15	2250X2250	600	300	12 TOR @ 125 C/C
F6	C4,C5,C17, C11,C19,C22.	2100X2100	600	300	12 TOR @ 175 C/C
F7	C1,C2,C3, C12,C18.	1900X1900	600	300	12 TOR @ 175 C/C



- ### SPECIFICATIONS
- DEPTH OF FOUNDATION IS AT 1.65 M. BELOW EXISTING G.L.
 - SAFE BEARING CAPACITY OF SOIL IS AS PER SOIL TEST REPORT
 - GRADE OF CONCRETE IS M-20 AND GRADE OF STEEL IS Fe-500.
 - CLEAR COVER TO MAIN REINFORCEMENT IS AS PER BELOW :-
 - FOUNDATION - 75 MM
 - COLOUMN - 40 MM
 - BEAM - 25 MM
 - SLAB - 15 MM
 - ALL SLABS MUST BE MONOLYTHIC WITH SUPPORTIN BEAM.
 - ALL OTHER SPECIFICATIONS AS PER NATIONAL BUILDING CODE OF INDIA

THE STRUCTURAL DESIGN & DRAWING OF BOTH FOUNDATION AND SUPERSTRUCTURE OF THE BUILDING HAS BEEN MADE BY ME CONSIDERING ALL POSSIBLE LOADS INCLUDING THE SEISMIC LOAD AS PER N.B.C. OF INDIA & CERTIFIED THAT IT IS SAFE & STABLE IN ALL RESPECT.

TUSHARBARAN PAHARI
M.E. (STRUCTURE)
P-22, Purbasha pally, Kolkata-34
Emanellid Geotechnical
Engineer of K.M.C., No.-G.T.R.

Tushar

TUSHAR BARAN PAHARI
M.E. (STRUCTURE), MGS,
E.S.E. NO-1/146
CHARTERED ENGINEER,
P-48C ARCADIA EXTENSION, BEHALA,
KOLKATA-700 034. (M) - 933100 9204
SIG. OF STRUCTURAL ENGINEER

Jui Chatterjee
JUI CHATTERJEE
Lic.No.DMC/BPD - 25
1/18 Ramanujam Road, Durgapur - 5
Contact:-2560417 / 9434649399

Anirban Bhattacharya
ANIRBAN BHATTACHARYA
B.ARCH
C-120/4/63710
ANIRBAN BHATTACHARYA
(LICENSE NO. - DMC / BPD / 25)

SIGNATURE OF L.B./ARCHITECT

Fatik Kumar Sou Mondal
Mihir Kumar Sou Mondal
Pradyut Kr. Sou Mondal

SIGNATURE OF OWNER

STRUCTURAL DRAWING OF BLOCK B OF A PROPOSED FOUR (G+3) & ONE EXTRA FLOOR OF FIVE (G+3+1) STORIED RESIDENTIAL APPARTMENT OF SRI. FATIK KUMAR SOU MONDAL, MIHIR KUMAR SOU MONDAL & PRADYUT KUMAR SOU MONDAL, OVER R.S. 1746, 1747, L.R. PLOT NO - 5391, 5227, 5228, 5229, 5390, 5392, L.R. KHATIA NO - 3444, 3445, 3447, OF MOUZA - BHIRINGI, J.L. NO - 68, P.S.- DURGAPUR, DIST. - BURDWAN.

UNDER D.M.C.
* HOLDING NO - 121/S, 121/2/S, 119/1/S, 121/1/S
* CIRCLE / WARD NO - 19,
* STREET NAME - ROAD-25, BHIRINGI VILLAGE, DGP-13,
* ID NO - 3309401134523, 3309401134531, 3309401134524, 3309401075185

CREATIVE STATICAL CONCERN
CIVIL ENGG. CONSULTANT & CONTRACTOR
P-48C ARCADIA EXTENSION, BEHALA,
KOLKATA-700 034. (M) - 933100 9204
CSC/CCGRS/DJ/09(A1) DATE :-