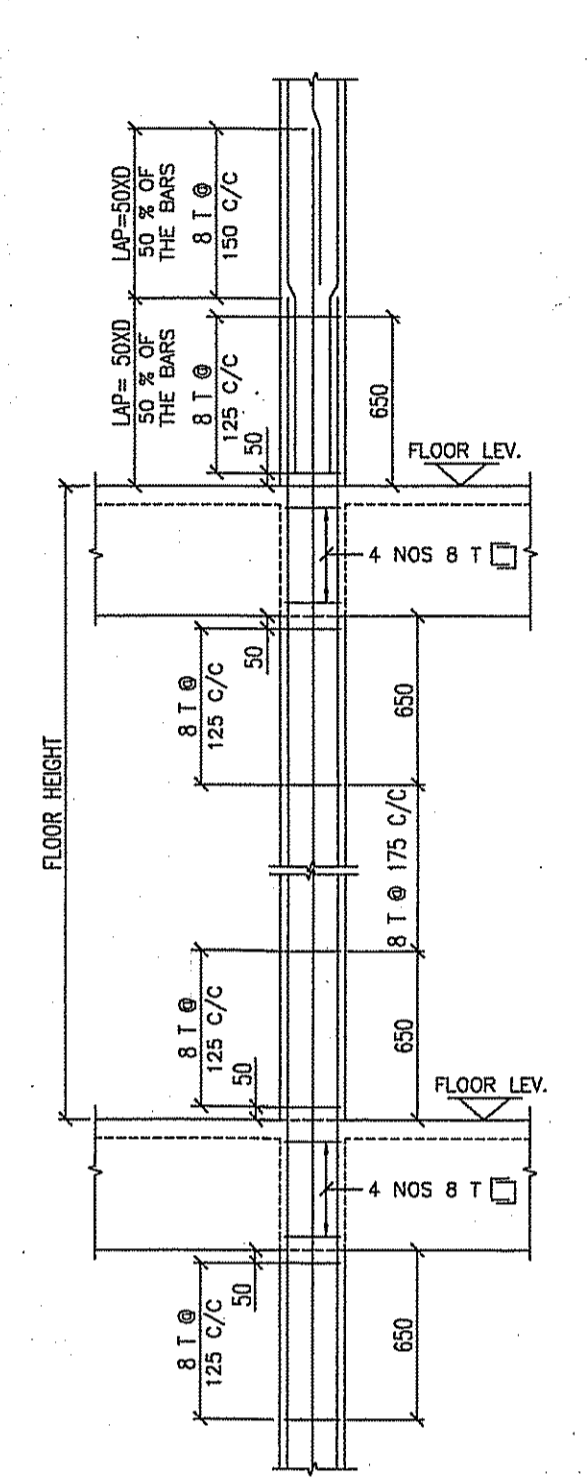
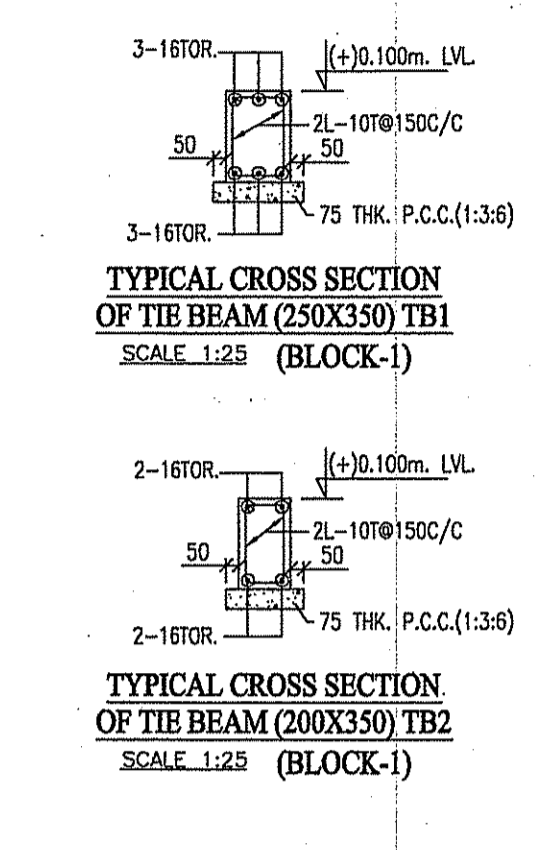
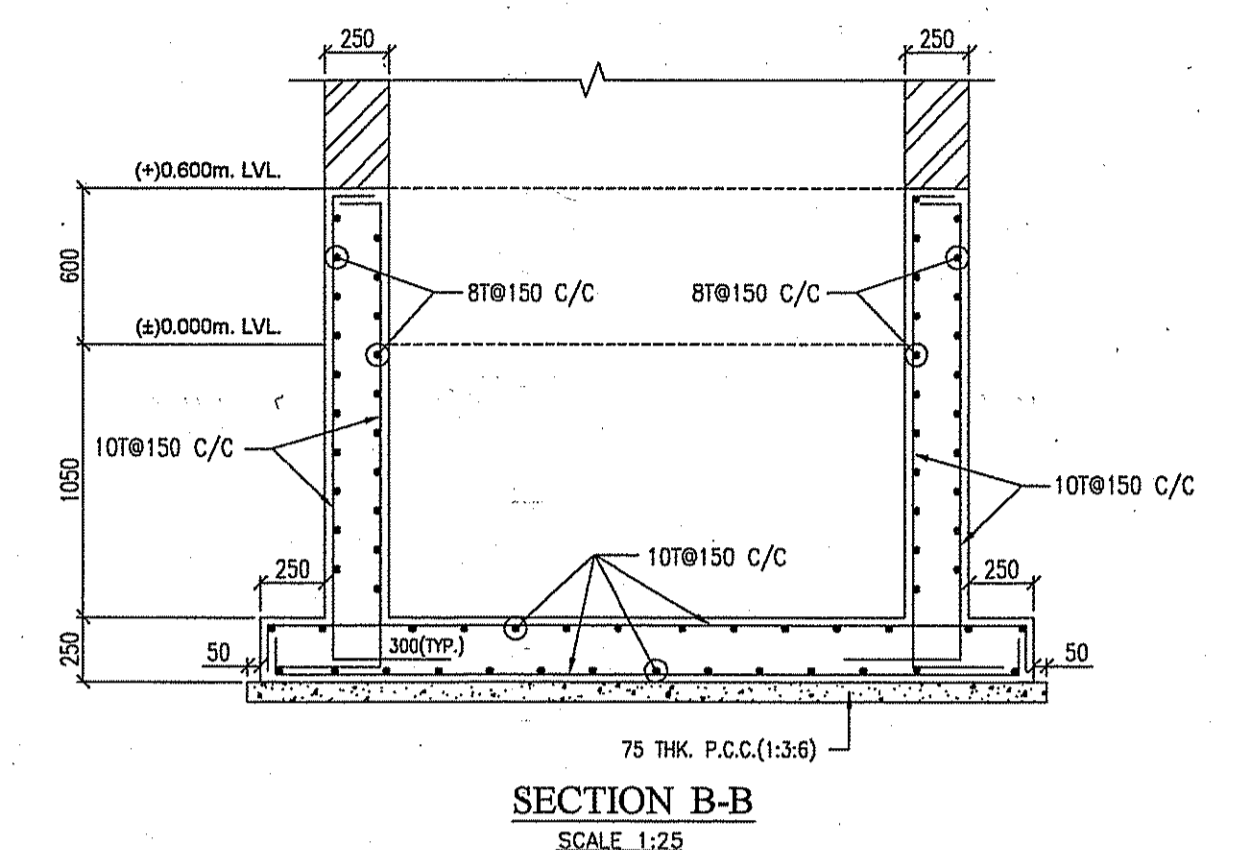


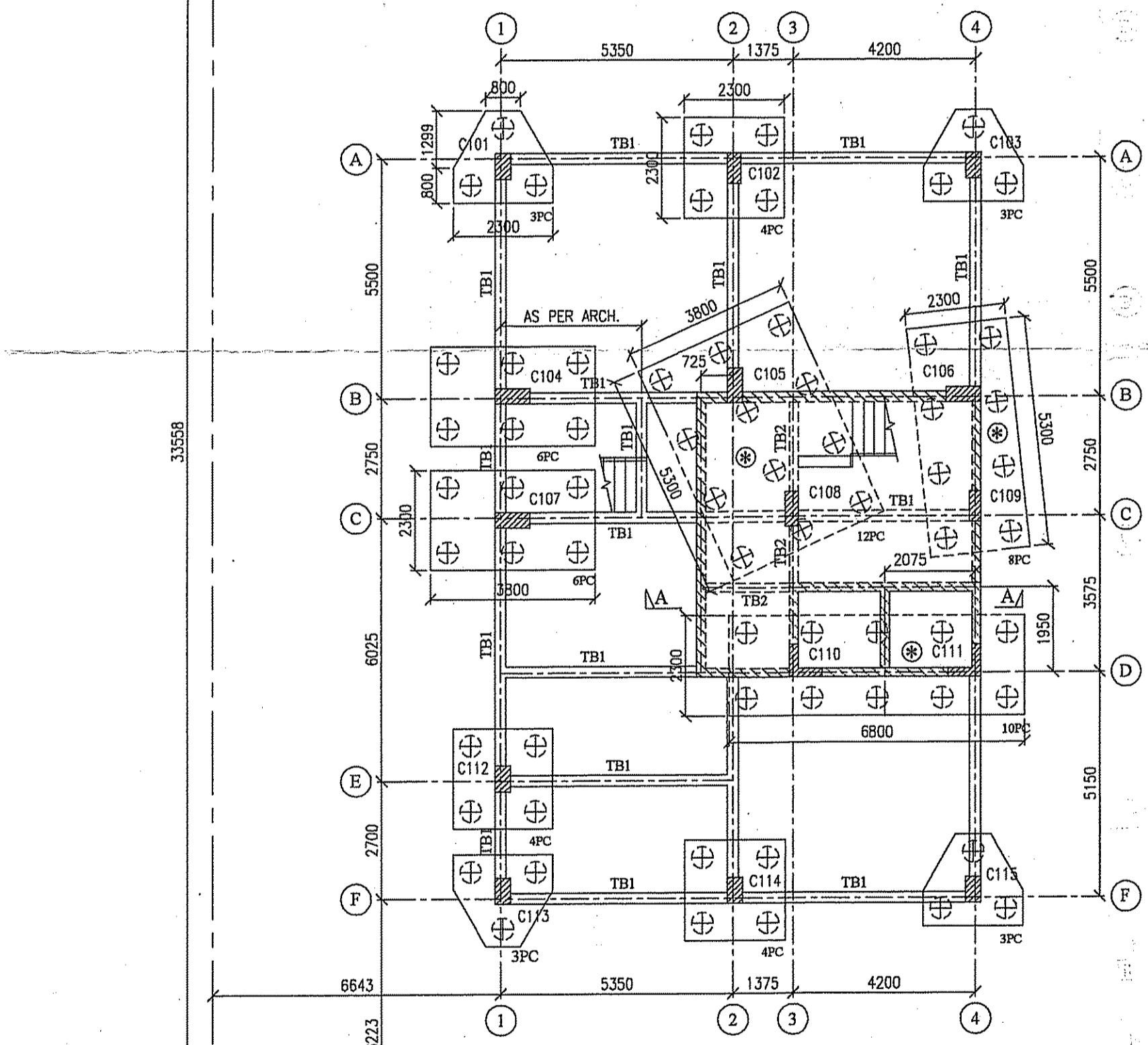
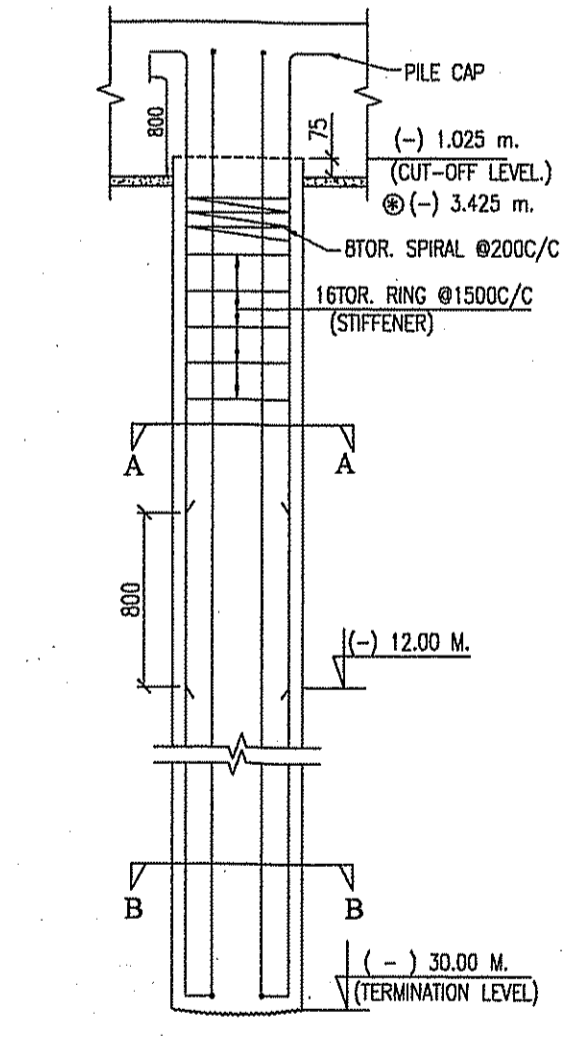
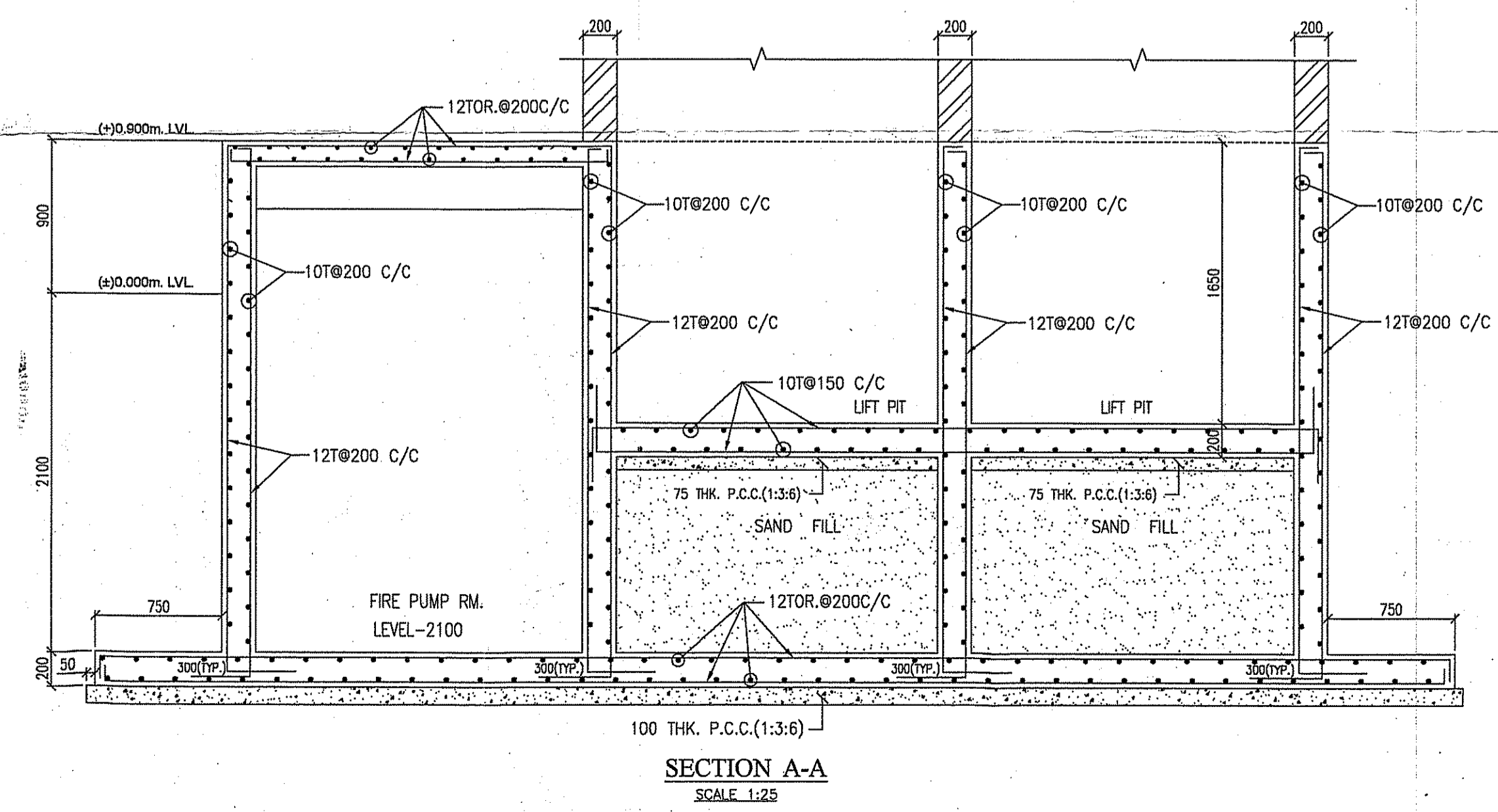
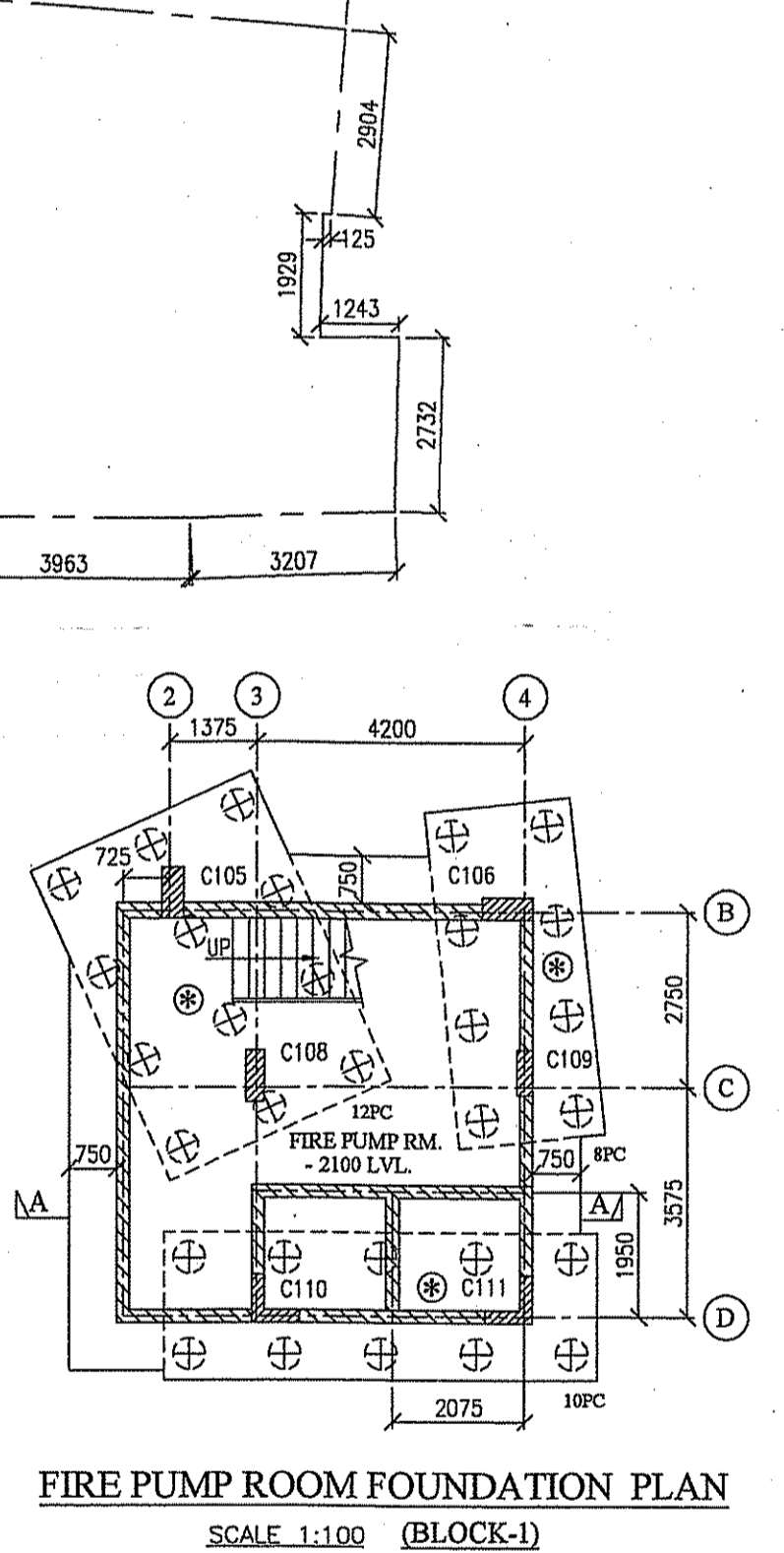
COLUMN MKD.	SIZE	MAIN REINFORCEMENT		
		FOUNDATION TO 1ST. FL.	1ST. FLOOR TO 3RD. FL.	3RD. FLOOR TO ROOF
C201, C208, C210	250 X 450	8-16T	8-16T	8-16T
C202, C207	250 X 500	4-20T+6-16T	10-16T	8-16T
C203, C211, C212, C213	250 X 450	4-16T+4-12T	4-16T+4-12T	4-16T+4-12T
C204	250 X 500	4-20T+6-16T	4-20T+6-16T	4-20T+6-16T
C205	250 X 550	12-20T	8-20T+4-12T	4-20T+8-12T
C206	250 X 500	8-16T+2-12T	4-16T+6-12T	4-16T+6-12T
C209	250 X 550	12-16T	8-16T+4-12T	4-16T+8-12T

PILE CAP MKD.	DEPTH OF PILE CAP (mm)	CAP REINFORCEMENT						BURSTING REINFORCEMENT (SKIN)
		LONGER BAR			SHORT BAR			
		BOTTOM BAR	TOP BAR	STIRRUPS	BOTTOM BAR	TOP BAR	STIRRUPS	
2PC	750	7-16TOR	4-12TOR	4L-10TOR.Ø150C/C	—	—	—	4-12TOR.
3PC	750	7-16TOR	4-12TOR	4L-10TOR.Ø150C/C	7-16TOR	4-12TOR	4L-10TOR.Ø150C/C	4-12TOR.
4PC	1200	21-16TOR	11-12TOR	—	21-16TOR	11-12TOR	—	7-12TOR.



PILE CAP MKD.	DEPTH OF PILE CAP (mm)	CAP REINFORCEMENT						BURSTING REINFORCEMENT (SKIN)
		LONGER BAR			SHORT BAR			
		BOTTOM BAR	TOP BAR	STIRRUPS	BOTTOM BAR	TOP BAR	STIRRUPS	
3PC	850	7-20TOR	4-12TOR	4L-10TOR.Ø125C/C	7-20TOR	4-12TOR	4L-10TOR.Ø125C/C	4-12TOR.
4PC	1400	11-20TOR+10-16TOR	11-12TOR	—	11-20TOR+10-16TOR	11-12TOR	—	8-12TOR.
6PC	1400	11-20TOR+10-16TOR	11-12TOR	6L-10TOR.Ø175C/C	17-20TOR+16-16TOR	17-12TOR	—	8-12TOR.
8PC	1400	19-20TOR	10-12TOR	8L-10TOR.Ø150C/C	43-20TOR	22-12TOR	—	8-12TOR.
10PC	1500	19-20TOR	19-20TOR	6L-10TOR.Ø200C/C	31-25TOR+30-20TOR	31-12TOR	—	8-12TOR.
12PC	1500	31-20TOR	31-20TOR	—	43-20TOR	22-12TOR	8L-10TOR.Ø175C/C	8-12TOR.

COLUMN MKD.	SIZE	MAIN REINFORCEMENT							
		FOUNDATION TO 1ST. FL.	1ST. FLOOR TO 3RD. FL.	3RD. FLOOR TO 5TH. FL.	5TH. FLOOR TO 7TH. FL.	7TH. FLOOR TO 9TH. FL.	9TH. FLOOR TO 11TH. FL.	11TH. FLOOR TO ROOF	
C101, C103, C113	350 X 600	8-25T+4-20T+2-12T	4-25T+8-20T+2-12T	14-20T+2-12T	8-20T+4-16T+2-12T	4-20T+8-16T+2-12T	12-16T+2-12T	12-16T+2-12T	
C102	300 X 700	8-25T+6-20T	4-25T+10-20T	14-20T	10-20T+4-16T	8-20T+6-16T	4-20T+10-16T	14-16T	
C104, C106, C107	350 X 800	8-25T+8-20T+2-12T	4-25T+12-20T+2-12T	16-20T+2-12T	8-20T+8-16T+2-12T	4-20T+12-16T+2-12T	16-16T+2-12T	16-16T+2-12T	
C105, C108	350 X 800	20-25T+2-12T	20-25T+2-12T	12-25T+8-20T+2-12T	8-25T+12-20T+2-12T	20-20T+2-12T	12-20T+8-16T+2-12T	8-20T+12-16T+2-12T	
C109	250 X 700	14-20T	14-20T	10-20T+4-16T	8-20T+6-16T	4-20T+10-16T	14-16T	10-16T+4-12T	
C110, C111	200 X 750-L	24-20T	16-20T+8-16T	8-20T+16-16T	24-16T	16-16T+8-12T	8-16T+16-12T	24-12T	
C112, C115	350 X 600	8-25T+4-20T+2-12T	4-25T+8-20T+2-12T	14-20T+2-12T	8-20T+4-16T+2-12T	8-20T+4-16T+2-12T	8-20T+4-16T+2-12T	8-20T+4-16T+2-12T	
C114	350 X 600	12-25T+2-12T	8-25T+4-20T+2-12T	4-25T+8-20T+2-12T	14-20T+2-12T	8-20T+4-16T+2-12T	4-20T+8-16T+2-12T	12-16T+2-12T	



FOUNDATION & TIE BEAM LAYOUT PLAN ALL TIE BEAM (250 X 400) TB1 (BLOCK-1) & (200X400) TB2 SCALE 1:100

1) AAC BLOCK HAVING MAXIMUM UNIT WEIGHT OF 1000kg/cum HAS BEEN CONSIDERED FOR BRICK WORK (EXCEPT LIFT WALL)
2) TWO ADDITIONAL FLOORS HAVE BEEN CONSIDERED FOR G+12 BUILDING ON AND ABOVE PROPOSAL IN PLAN

PROJECT
PROPOSED G+12 & G+4 STORED RESIDENTIAL BUILDING AT 2B/1 DOVER ROAD, P-5-BALLYGUNGE, KOLKATA -700019, SUPERSEEDING PREVIOUS SANCTIONED PLAN VIDE P.P. NO. 2013080096, DATED - 02.12.2013

WARD NO. -06P BOROUGH NO. -VII

NOTES:
1. ALL DIMENSIONS ARE IN METRE AND LEVELS ARE IN METRE U. N. O.
2. GRADE OF CONCRETE: (BLOCK-1) a) PILE: M25 b) FILE CAP: M25 c) SUPERSTRUCTURE UP TO 4TH. FLOOR: M25 ABOVE 4TH. TO 8TH. FLOOR: M30 ABOVE 8TH. FLOOR: M25
3. GRADE OF REINFORCEMENT SHALL BE F500.
4. CLEAR COVER TO MAIN REINFORCEMENT a) PILE = 50mm. b) FOUNDATION BEAM = 50mm / COLUMN = 40mm. c) LIFT WALL = 20mm.
5. MIX OF P.C.C. SHALL BE 1:3:6
6. LAY/BOUND LENGTH SHALL BE 500 WHERE D IS THE DIAMETER OF BAR.
7. SPECIAL NOTES FOR PILES - a) DRIVING SHALL BE DONE BY CHISEL & BALLER AND EXTRUSION BY O.M.C. METHOD b) PILE CAPACITY IS 74 TON. c) SLUMP SHALL BE 150 TO 180 d) MINIMUM CEMENT CONTENT SHALL BE 400KG/DM OF CONCRETE e) MAXIMUM W/C RATIO SHALL BE 0.48 f) ROUTINE LOAD TEST TO BE CARRIED OUT TO GET CONFIRMATION OF PILE CAPACITY
8. DESIGN HAS BEEN DONE FOLLOWING IS 1093 (PART I) & IS 13020 - LATEST REVISION FOR DUCTILITY DESIGNING.

DECLARATION OF OWNER:
I DO HEREBY DECLARE WITH FULL RESPONSIBILITY THAT I SHALL DRAG & SEE DURING CONSTRUCTION I SHALL FOLLOW THE INSTRUCTION OF L.B.A & E.S.E. DURING CONSTRUCTION OF THE BUILDING (AS PER PLAN) K.M.C. AUTHORITY WILL NOT BE RESPONSIBLE FOR STRUCTURAL SAFETY OF THE BUILDING & FOUNDATION STRUCTURE IF ANY SUBMITTED DOCUMENT ARE FALSE. THE K.M.C. AUTHORITY WILL REVOKE THE SANCTION PLAN, THE CONSTRUCTION OF LIFT & SEPTIC TANK TAKEN UNDER THE GUIDANCE OF L.B.A/E.S.E. BEFORE STARTING OF BUILDING FOUNDATION.

SMITKRITI ENTERPRISES PVT. LTD.
DIRECTOR
SMITKRITI ENTERPRISES PVT. LTD.
SIGNATURE OF OWNER

DECLARATION OF ARCHITECT:
CERTIFIED THAT THE PLAN ITSELF WITH FULL RESPONSIBILITY THAT THE BUILDING PLAN HAS DRAWN UP AS PER PROVISION OF K.M.C. BUILDING RULES 2008. AS ADVISED FROM THE TIME AND THE SITE CONDITION INCLUDING THE ADJUTING ROAD IS CONFORM WITH THE PLAN. IT IS A BUILDABLE SITE NOT A TANK OR FILLED UP TANK THERE IS AN E.S. STRUCTURE TO BE CONSIDERED BEFORE COMMENCEMENT OF WORK IF IT IS FULLY OCCUPIED BY THE OWNER AND THERE IS A TANK.

DEBATOSH SAHU
Architect • Urban Designer
M.A.R.C.H., F.I.A., F.I.C.I. AND
Regn. No. CA/89/12368
DEBATOSH SAHU (CA/89/12368)
SIGNATURE OF ARCHITECT & SEAL

DECLARATION OF STRUCTURAL ENGINEER:
THE STRUCTURAL DESIGN OF BOTH FOUNDATION AND SUPERSTRUCTURE OF THE BUILDING HAVE BEEN MADE BY ME CONSIDERING ALL POSSIBLE LOADS INCLUDING THE DESIGN LOAD AS PER NBC OF INDIA AND BASIS OF SOIL INVESTIGATION REPORT BY M.S. SURESH (REGISTERED ENGINEERS) CERTIFY THAT IT IS SAFE AND STABLE IN ALL RESPECT.

KOUSHIK SENGUPTA
S.E. (CIVIL), M.E. (STRUCTURE)
E. S. E. -1/76(K.M.C.)
KOUSHIK SENGUPTA, ESE - 1/76
SIGNATURE OF STRUCTURAL ENGINEER & SEAL

DR. SUJIT KUMAR BOSE
Ph.D., M.C.E. (Soil), B.C.E. (Hons.)
M.I.C.S., M.I.R.C.
Empowered Geotechnical Engineer (I) under KMC
Licence No: GT-12
S.K. BOSE
GTB-1/12
NAME OF GEOTECHNICAL ENGINEER

ESPACE
35-A, DR. SARAT BANERJEE ROAD, KOLKATA-700029
TeleFax : 91-33-2465-4130 / 4159
e-mail : espace@vsnl.net
WEBSITE : www.espaceindia.com

STRUCTURAL DRAWING (FOUNDATION DETAILS)
SCALE - 1:100, 50, 25
KSG PROJECTS AND INFRASTRUCTURE CONSULTANTS
51/2 MAHAJATI NAGAR, BIRATI, KOLKATA-700051
date:-02-01-18
sheet :- 1 OF 2