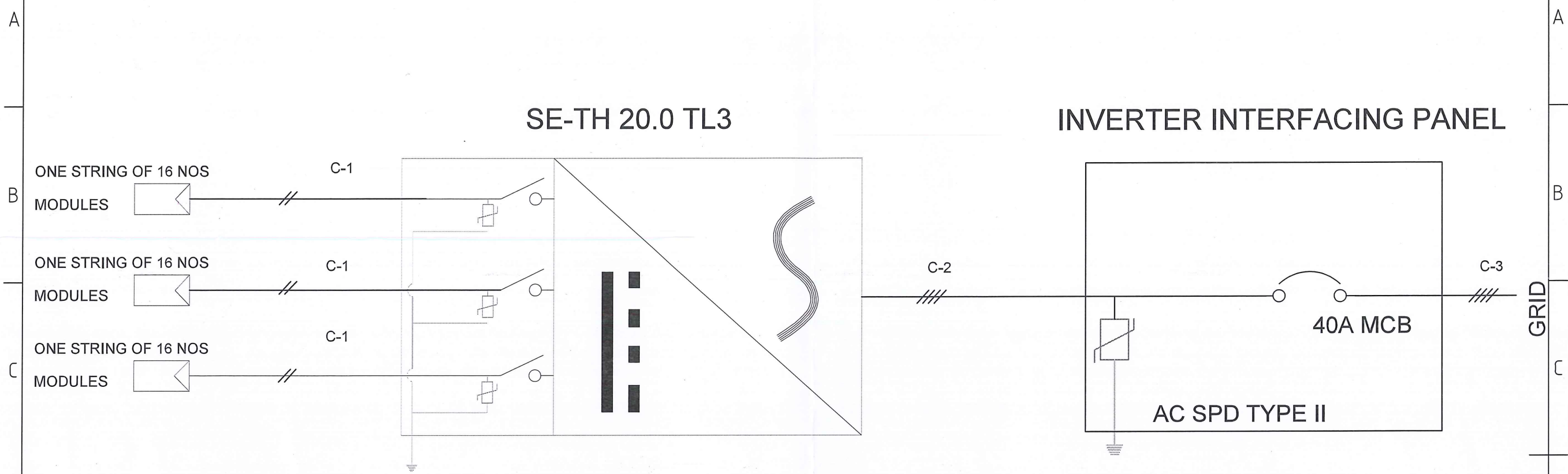


RevNo	Revision note	Date	Signature	Checked
0		03.09.19		



MODULES: 375Wp / 72CELLS
SLD FOR ENTIRE PLANT

C-1	4 SQMM 2 RUNS 1 CORE WEATHERPROOF CU DC CABLE FOR EACH STRING
C-2	10 SqMM 1 RUN 4 CORE FLEXIBLE CU CABLE
C-3	16 SqMM 1 RUN 4 CORE ARMoured AL XLPE CABLE

ADDRESS : 9A/1 UMAKANTA LANE, KOLKATA-700030.

NAME OF CUSTOMER:	MERIDIAN SPLENDORA	PROJECT:	18kWp Plant	1) The sizing of all AC cables is considering a maximum length of 50mtrs. If actual length of any cable section is more than that, please contact us for revised cable dimensions. 2) SPDs in the GIP, on GRID side & AJB, on PV sides are suggested for the protection of the Solar
DRAWING NO.	THEA/18kWp/SLD/19-20/01	DRAWING TITLE:	SLD for Entire Plant	



SRINIVAS INFRA DEVELOPERS (P) LTD.
Amal Kumar
 Director