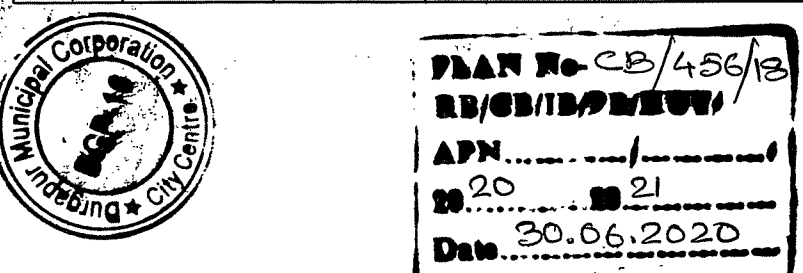
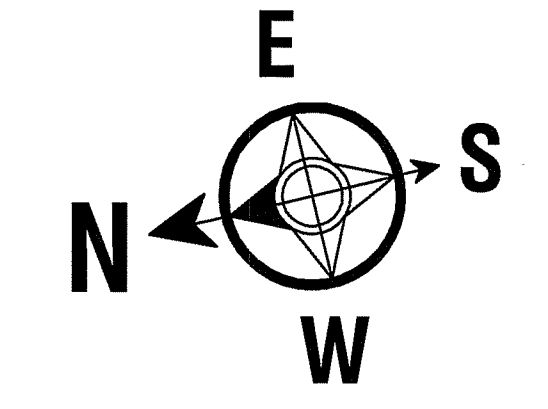
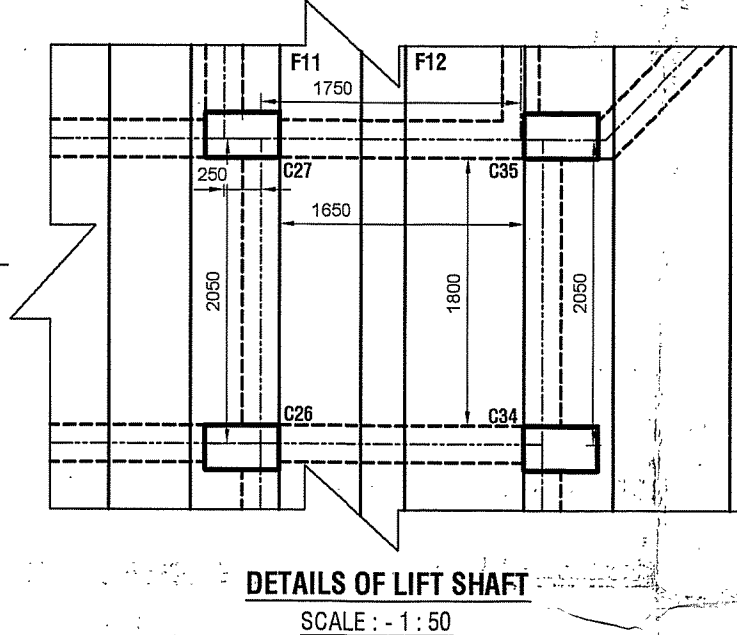
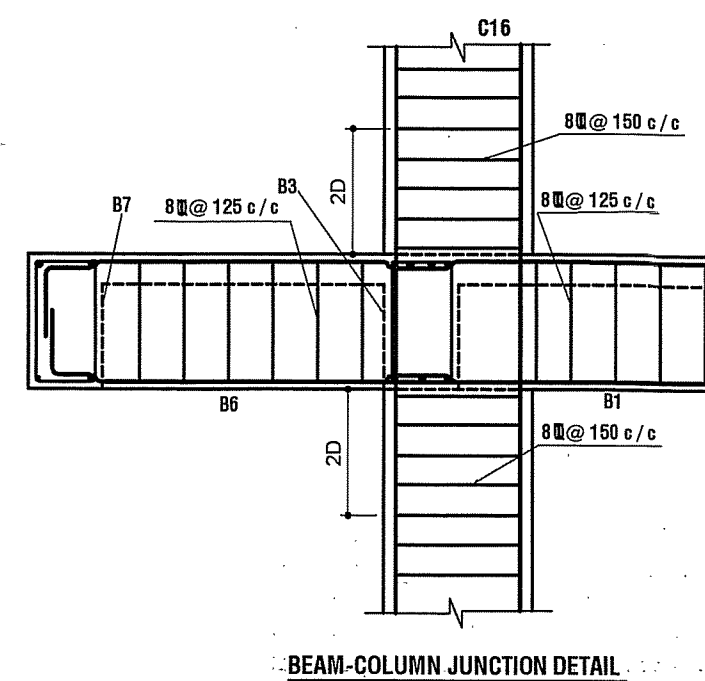
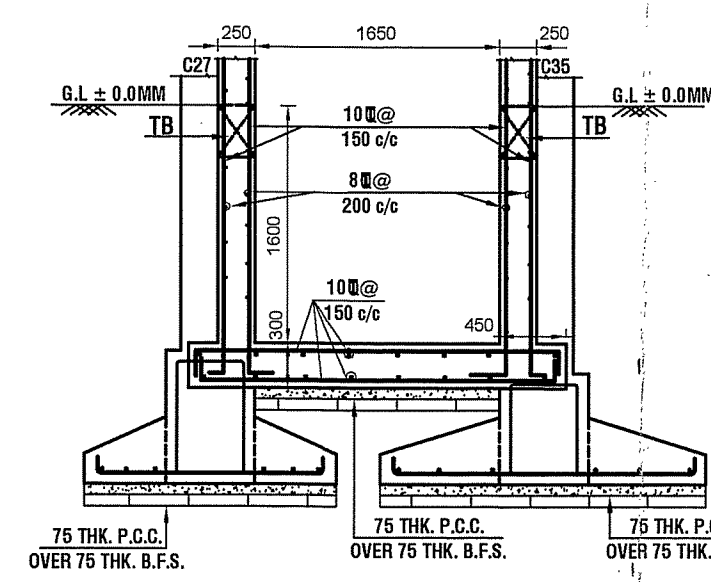
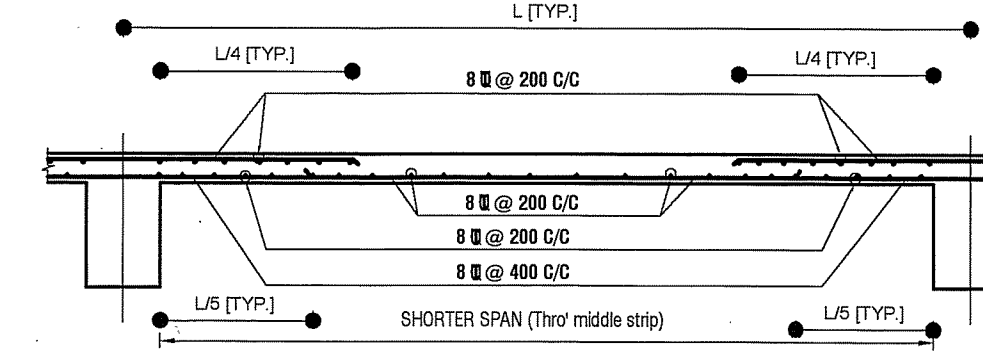
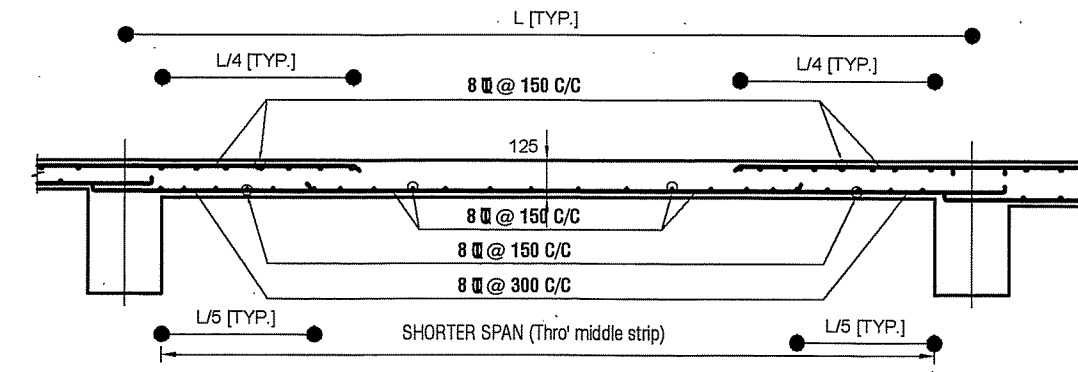


SCHEDULE OF R.C.C. BEAMS							
BEAM MKD.	BEAM SECTION	SIZE & REIN. AT SUPPORT		STIRRUP AT SUPPORT	SIZE & REIN. AT SPAN		STIRRUP AT SPAN
		TOP	BOTTOM		TOP	BOTTOM	
B1	250X450	3-20 Φ + 3-20 Φ	3-16 Φ	8 TOR 2L @ 125 C/C	3-20 Φ	3-16 Φ + 2-16 Φ	8 TOR 2L @ 125 C/C
B2	250X450	3-16 Φ + 2-20 Φ	3-16 Φ	8 TOR 2L @ 125 C/C	3-16 Φ	3-16 Φ + 2-12 Φ	8 TOR 2L @ 125 C/C
B3	250X450	2-16 Φ + 2-20 Φ	3-12 Φ	8 TOR 2L @ 175 C/C	2-16 Φ	3-12 Φ	8 TOR 2L @ 175 C/C
B4	250X450	2-16 Φ	3-16 Φ	8 TOR 2L @ 125 C/C	2-16 Φ	3-16 Φ	8 TOR 2L @ 125 C/C
B5	250X450	2-12 Φ	2-16 Φ	8 TOR 2L @ 175 C/C	2-12 Φ	2-16 Φ	8 TOR 2L @ 175 C/C
B6	250X550	6-20 Φ	3-12 Φ	8 TOR 2L @ 125 C/C	6-20 Φ	3-12 Φ	8 TOR 2L @ 125 C/C
B7	250X450	4-16 Φ	3-12 Φ	8 TOR 2L @ 125 C/C	4-16 Φ	3-12 Φ	8 TOR 2L @ 125 C/C
TB1	250X350	2-16 Φ + 3-16 Φ	3-16 Φ	8 TOR 2L @ 150 C/C	2-16 Φ	3-16 Φ + 2-16 Φ	8 TOR 2L @ 150 C/C
TB2	250X350	2-16 Φ + 2-16 Φ	3-12 Φ	8 TOR 2L @ 200 C/C	2-16 Φ	3-12 Φ	8 TOR 2L @ 200 C/C
TB3	250X350	2-16 Φ	2-16 Φ	8 TOR 2L @ 200 C/C	2-16 Φ	2-16 Φ	8 TOR 2L @ 200 C/C
TB4	250X350	4-16 Φ	2-16 Φ	8 TOR 2L @ 150 C/C	4-16 Φ	2-16 Φ	8 TOR 2L @ 150 C/C

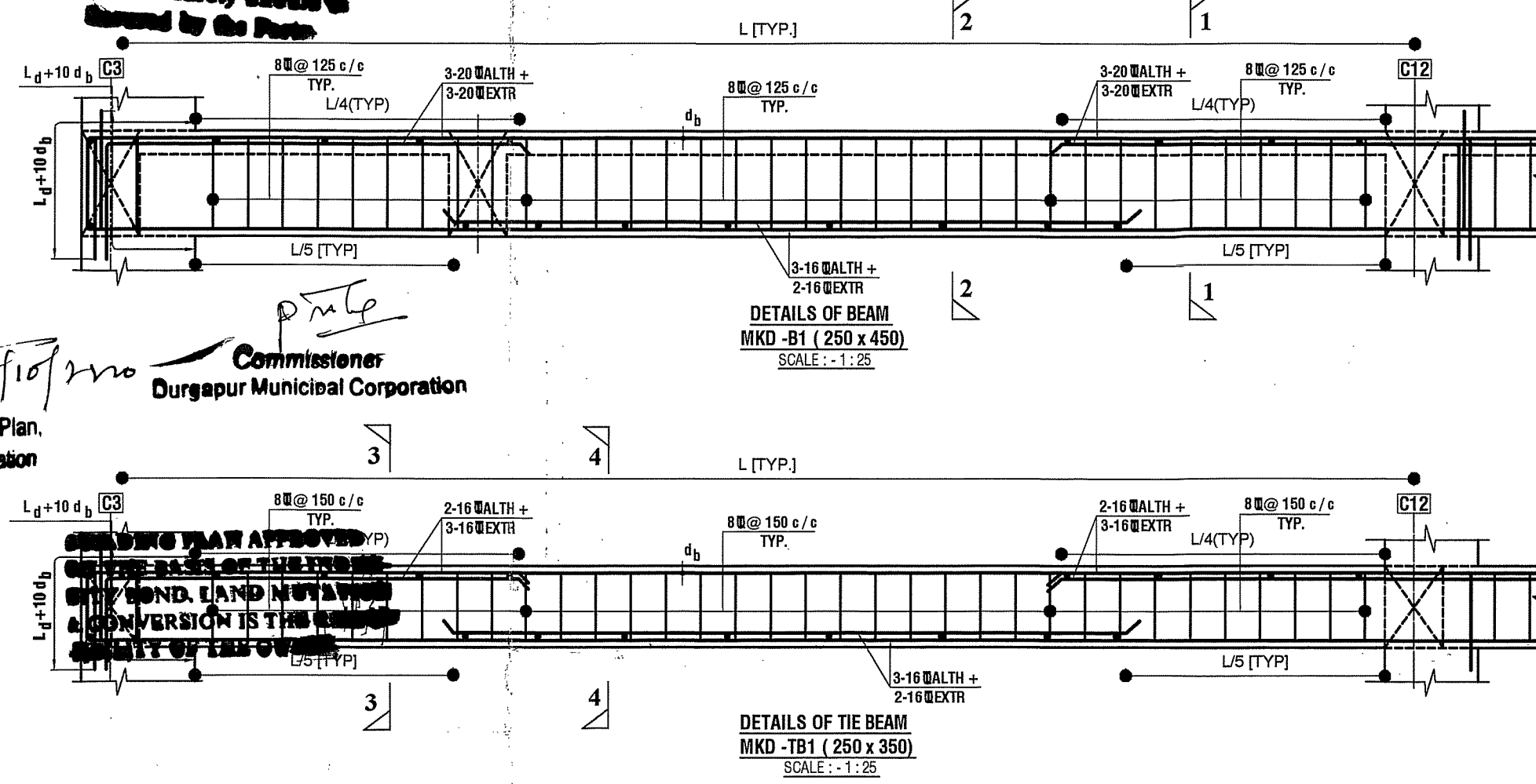
SCHEDULE OF R.C.C. SLABS					
SLAB MKD	THICKNESS (mm)	REINFORCEMENT PARALLEL TO SHORTER DIRECTION		REINFORCEMENT PARALLEL TO LONGER DIRECTION	
		AT MIDDLE SPAN	AT END SPAN	AT MIDDLE SPAN	AT END SPAN
S1	125	8 Φ @ 150 c/c (botl.)	8 Φ @ 150 c/c (top)	8 Φ @ 150 c/c (botl.)	8 Φ @ 150 c/c (top)
S2	100	8 Φ @ 200 c/c (botl.)	8 Φ @ 200 c/c (top)	8 Φ @ 200 c/c (botl.)	8 Φ @ 200 c/c (top & bott.)
S3	150	8 Φ @ 100 c/c (top & bott.)	8 Φ @ 100 c/c (top & bott.)	8 Φ @ 200 c/c (top & bott.)	8 Φ @ 200 c/c (top & bott.)
S4	150	8 Φ @ 200 c/c (binder.)	8 Φ @ 200 c/c (binder.)	12 Φ @ 150 c/c (top)	12 Φ @ 300 c/c (bott.)



PLAN No. CB/456/13
 APN: 20.06.2020
 Date: 20.06.2020

APPROVED

General Safety should be observed by the Public.



Mohan Lal Majumdar
 Commissioner
 Durgapur Municipal Corporation

Planner-in-Charge, Building Plan,
 Durgapur Municipal Corporation

- SPECIFICATIONS**
- DEPTH OF FOUNDATION IS AT 2.70 M. BELOW EXISTING G.L.
 - SAFE BEARING CAPACITY OF SOIL IS AS PER SOIL TEST REPORT
 - FOUNDATIONS MUST BE PLACED WITH RESPECT TO THE CENTRE OF THE COLUMNS.
 - GRADE OF CONCRETE IS M-25 AND GRADE OF STEEL IS Fe-500.
 - CLEAR COVER TO MAIN REINFORCEMENT IS AS PER BELOW:-
 a) FOUNDATION - 75 MM
 b) COLUMN - 40 MM
 c) BEAM - 25 MM
 d) SLAB - 20 MM
 - ALL SLABS MUST BE MONOLITHIC WITH SUPPORT IN BEAM.
 - ALL OTHER SPECIFICATIONS AS PER NATIONAL BUILDING CODE OF INDIA

THE STRUCTURAL DESIGN & DRAWING OF BOTH FOUNDATION AND SUPERSTRUCTURE OF THE BUILDING HAS BEEN MADE BY ME CONSIDERING ALL POSSIBLE LOADS INCLUDING THE SEISMIC LOAD AS PER N.B.C. OF INDIA & CERTIFIED THAT IT IS SAFE & STABLE IN ALL RESPECT.

TUSHARBARAN PAHARI
 M.E. (Structure)
 Purbasha pally, Kolkata-34
 E.S.E. NO.-1/148
 CHARTERED ENGINEER.

SIGNATURE OF ARCHITECT / ENGINEER
 ANIRBAN BHATTACHARYA
 B.A.R.C.H
 CA/2014/82750
 ANIRBAN BHATTACHARYA
 (LICENSE NO. - CA/2014/62790)

Faluk Kumar Sou Mondal
 Mihir Kumar Sou Mondal
 Pradyut Xr. Sou Mondal

SIGNATURE OF OWNER
 STRUCTURAL DRAWING OF A REVISED PLAN FOR EXISTING BLOCK - A WITH SOME MODIFICATION OF FOUR (G+3) & ONE EXTRA FLOOR OF FIVE STORIED RESIDENTIAL APARTMENT OF SRI FATI KUMAR SOU MONDAL, MIHIR KUMAR SOU MONDAL & PRADYUT KUMAR SOU MONDAL, OVER R.S. 1746, 1747, L.R. PLOT NO - 5391, 5227, 5228, 5229, 5390, 5392, L.R. KHATIA NO - 3444, 3445, 3447, OF MOUZA - BHIRINGI, J.L. NO - 119, P.S. - DURGAPUR, DIST. - BURDWAN.

UNDER D.M.C.
 * HOLDING NO - 121/S, 121/1/S, 121/2/S, 119/1/S,
 * CIRCLE / WARD NO - 19
 * STREET NAME - ROAD-25, BHIRINGI VILLAGE, DGP-13,
 * ID NO - 3309401134523, 3309401134531, 3309401134524, & 3309401075185

CREATIVE STATICAL CONCERN
 CIVIL ENGG. CONSULTANT & CONTRACTOR
 P-22, PURBASHA PALLY, BEHALA,
 KOLKATA-700 034, (M) - 933100 9204
 DATE:-

