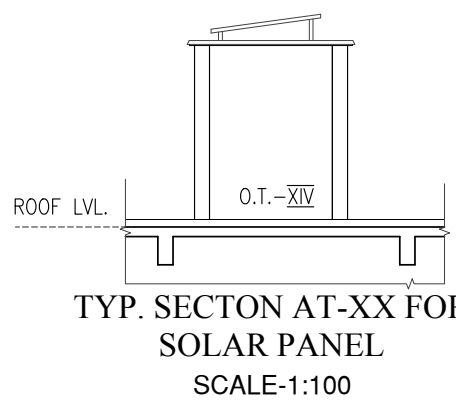
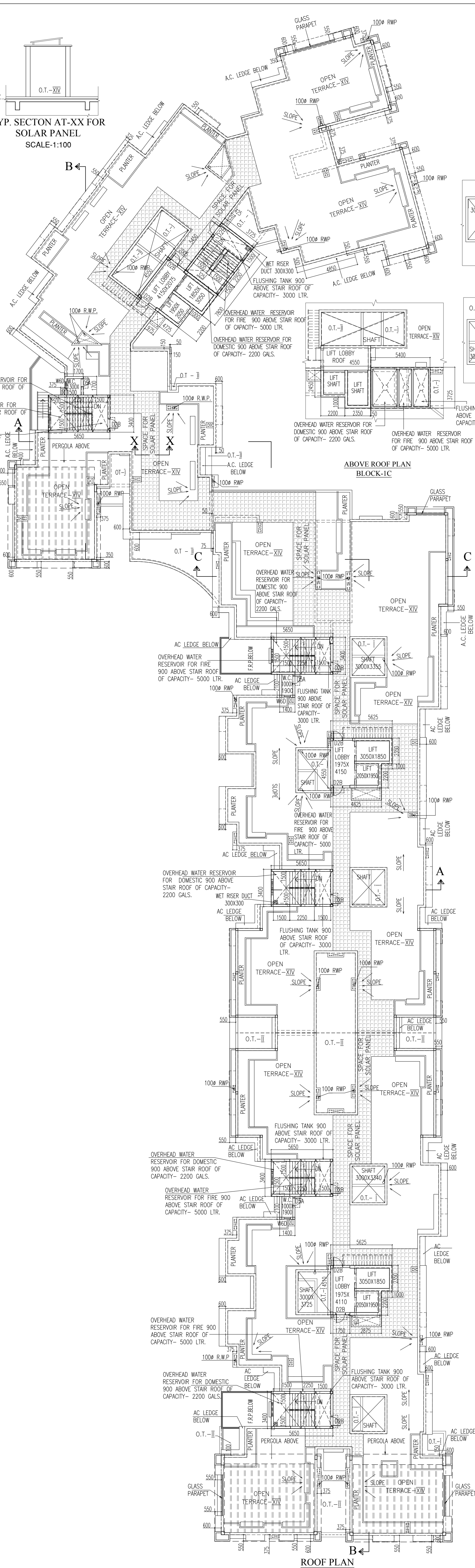


FIRST FLOOR PLAN B ←



TYP. SECTION AT-XX FOR SOLAR PANEL  
SCALE: 1:100



ROOF PLAN B ←

SCHEDULE OF DOORS			
MKD.	SILL	LINTEL	SIZE
D	-	2400	1800 X 2400
D1	-	2150	1500 X 2150
D1A	-	2150	1200 X 2150
D1B	250	2150	1200 X 1900
D2	-	2150	1100 X 2150
D2B	250	2250	900 X 2000
D3	-	2150	1000 X 2150
D4	-	2150	900 X 2150
D5	-	2150	750 X 2150
D5A	250	2250	750 X 2000
D5B	250	2150	750 X 1900
F.C.D.	-	2150	1100 X 2150
FCD-1	-	2150	1500 X 2150
SD	-	2150	2100 X 2150
SD1	-	2150	1800 X 2150
SD2	-	2150	1500 X 2150
SD3	250	2150	1500 X 1900

SCHEDULE OF WINDOWS			
MKD.	SILL	LINTEL	SIZE
W	350	2150	2100 X 1800
W1	350	2150	1800 X 1800
W1A	350	2150	1500 X 1800
W2	350	2150	850 X 1800
W2A	350	2150	1200 X 1800
W3	1100	2150	1000 X 1050
W3A	350	2150	1350 X 1800
W3B	950	2150	1500 X 1200
W3C	350	2150	1200 X 1800
W3D	1200	2150	1200 X 950
W4	1250	2150	600 X 900
W5	1100	2150	900 X 1050
W5A	350	2150	1350 X 1800
W5B	1200	2150	900 X 950
W6	1250	2150	600 X 900
W6A	1250	2150	575 X 900
W6B	1250	2150	525 X 900
W6C	1250	2150	500 X 900
W6D	1250	2250	600 X 1000
W7	950	2150	600 X 1200
C.G.F.G	-	-	AS/ELEVATION
V	-	-	AS/ELEVATION

NOTE: ✱ FOR MECHANICAL VENTILATION & ARTIFICIAL LIGHTING

SIGNATURE OF OWNER.  
CERTIFICATE OF STRUCTURAL ENGINEER.

THIS IS TO CERTIFY THAT THE STRUCTURAL DESIGN AND DRAWING OF BOTH FOUNDATION AND SUPER STRUCTURE OF THE BUILDING HAS BEEN MADE BY ME CONSIDERING ALL POSSIBLE LOADS INCLUDING THE SEISMIC LOAD AS PER THE NATIONAL BUILDING CODE OF INDIA AND CERTIFIED THAT IT IS SAFE AND STABLE IN ALL RESPECTS.

SIGNATURE OF STRUCTURAL ENGG. SIGNATURE OF STRUC. REVIEWER

CERTIFICATE OF ARCHITECT

I DO HEREBY CERTIFY WITH FULL RESPONSIBILITY THAT THE BUILDING PLAN HAS BEEN DRAWN UP AS PER K.M.C. BUILDING RULE - 2009 AS AMENDED FROM TIME TO TIME THAT THE WIDTH OF THE ABUTTING ROAD CONFORM WITH THE PLAN AND IT IS A BUILDABLE SITE NOT A TANK OR A FILLED UP TANK. THE SITE PLAN, LOCATION PLAN AGREES WITH THE SITE. THE PLOT IS DEMARCATED BY BOUNDARY WALLS & MEASUREMENTS TALLY WITH THE REGD. DEED PLAN.

SIGNATURE OF ARCHITECT

TITLE - FIRST FLOOR PLAN, ROOF PLAN

PROJECT - PROPOSAL FOR OBTAINING THE SANCTION OF ADDITION & ALTERATION OF B+G+XIII STORED RESIDENTIAL BUILDING U/S 394 OF KMC ACT 1980 READ WITH U/R 26 (2a) ALONG WITH 69A(1)(c) OF KMC BUILDING RULES 2009 INCORPORATING ADDITION IN 1ST & 13TH FLOOR AT PREMISES NO. 24, DIAMOND HARBOUR ROAD, KOLKATA-700104, WARD -144, UNDER BOROUGH - XVI, P.S.-THAKURPUKUR.

ARCHITECTS - AGRAWAL & AGRAWAL  
BARODA KOLKATA

SCALE	DATE	DEALT	CHECKED
1 : 200	29.05.17	POULOMI/UMANG SHRAMANA	SUPRIYA