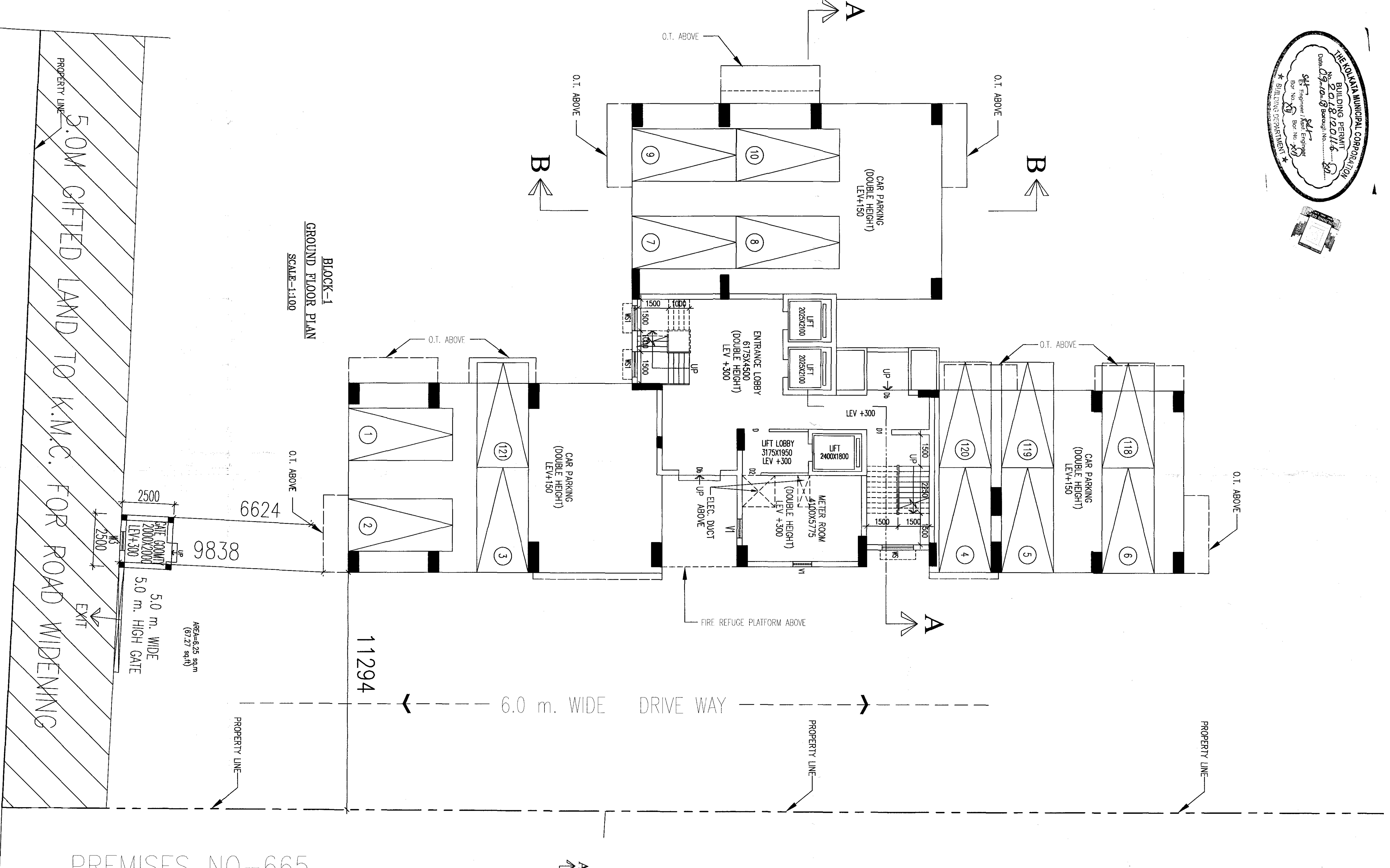
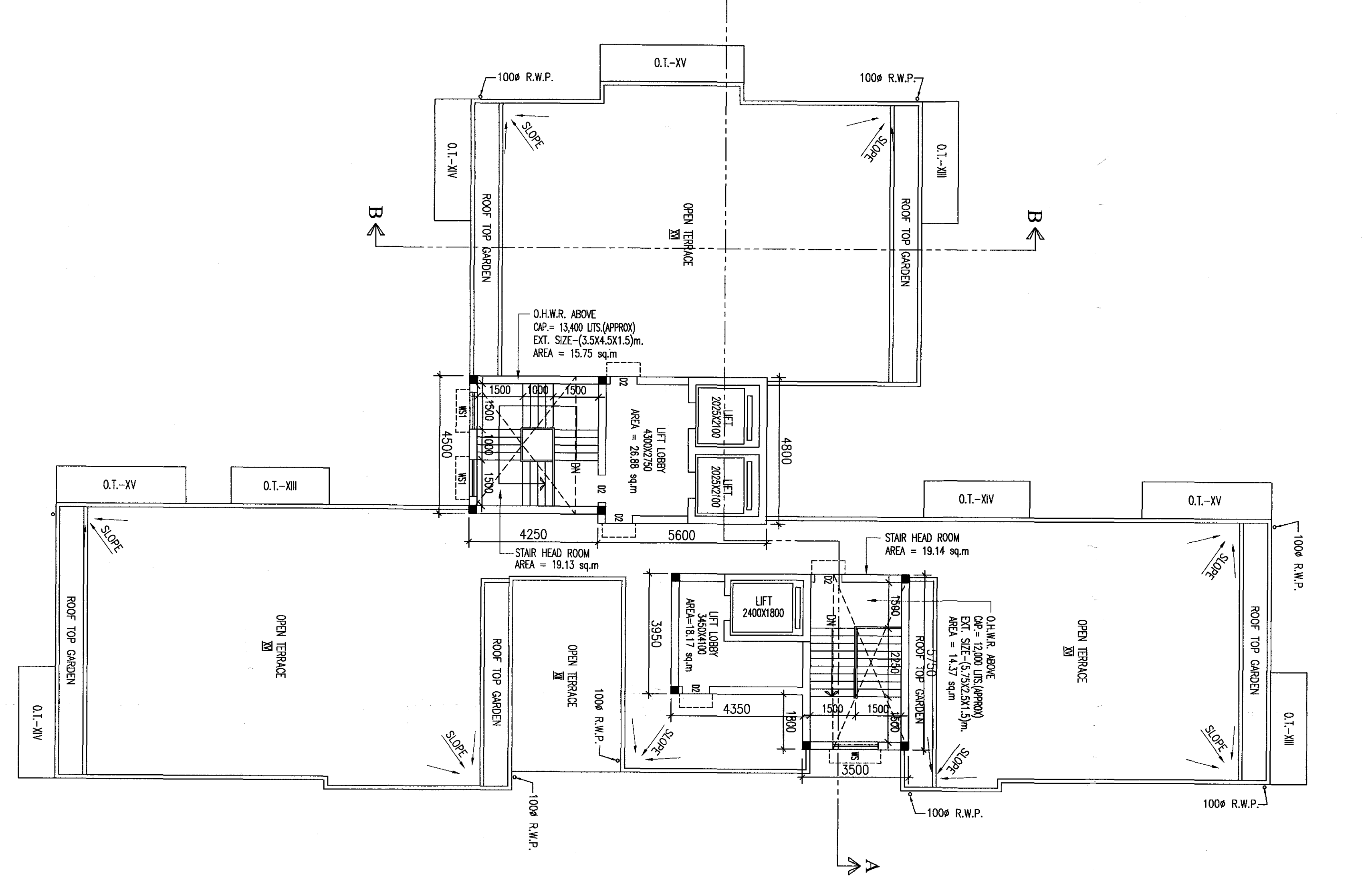
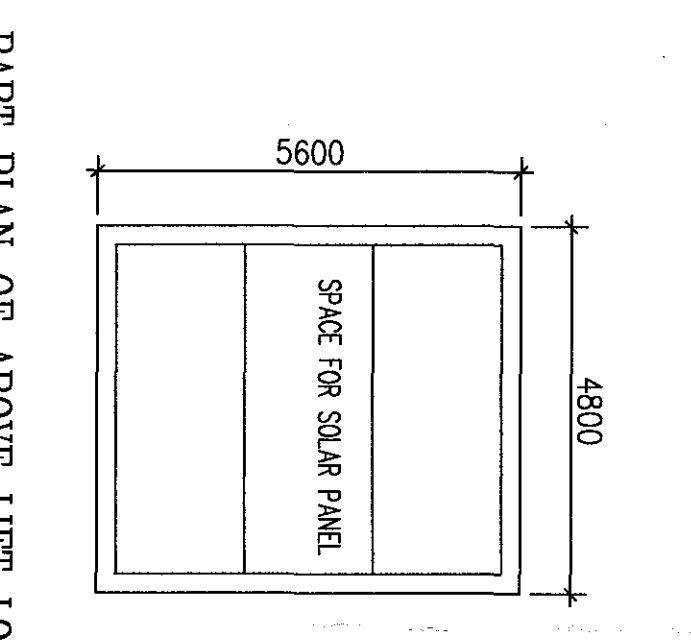
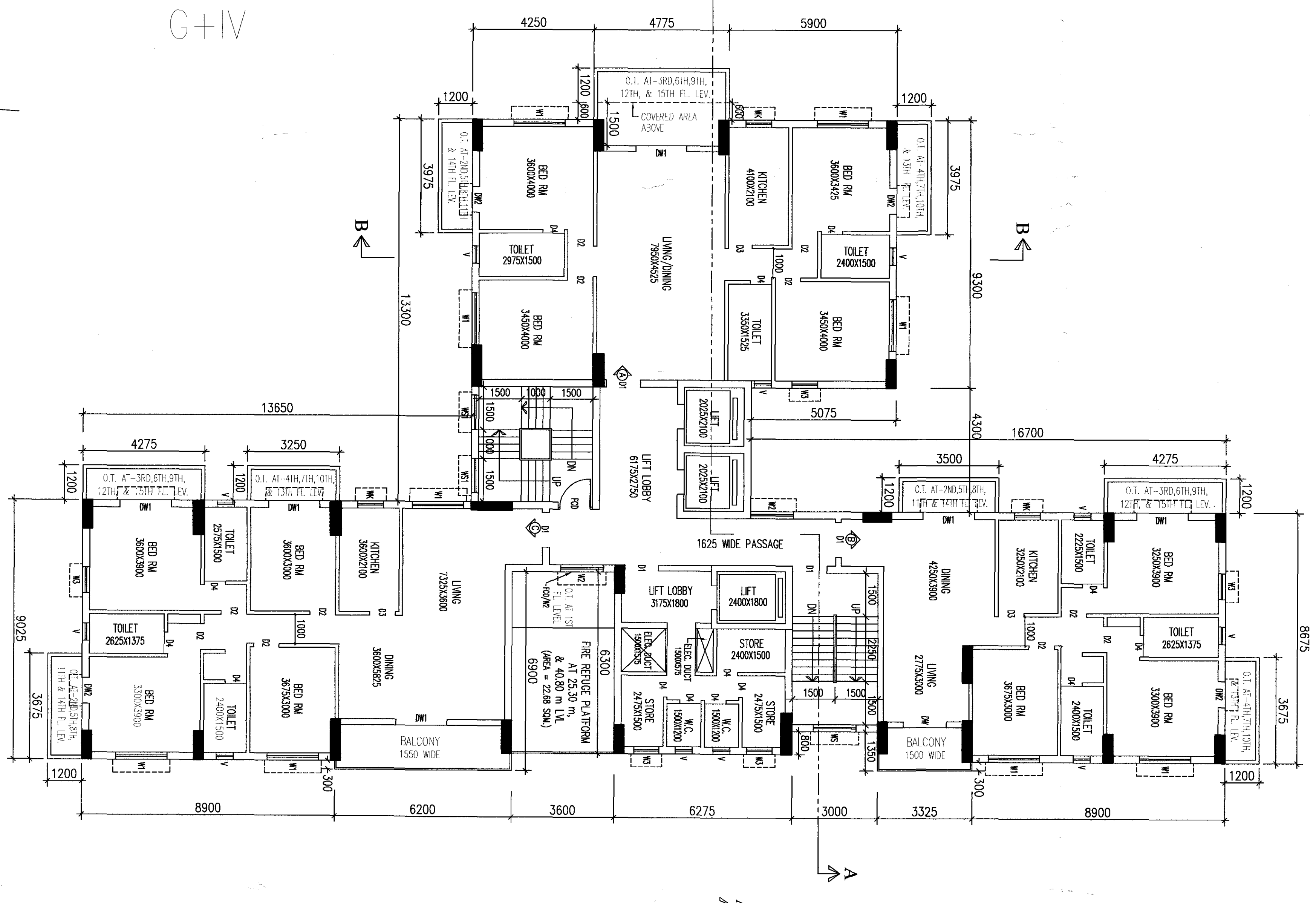


12.5 (AVG.) m. WIDE ROAD



PREMISES NO-665 G+IV



SCHEDULE OF DOORS & WINDOWS			
Sl. No.	Room No.	Door / Window Type	Quantity
1	101	Door	1
2	102	Window	2
3	103	Door	1
4	104	Window	2
5	105	Door	1
6	106	Window	2
7	107	Door	1
8	108	Window	2
9	109	Door	1
10	110	Window	2
11	111	Door	1
12	112	Window	2
13	113	Door	1
14	114	Window	2
15	115	Door	1
16	116	Window	2
17	117	Door	1
18	118	Window	2
19	119	Door	1
20	120	Window	2
21	121	Door	1
22	122	Window	2
23	123	Door	1
24	124	Window	2
25	125	Door	1
26	126	Window	2
27	127	Door	1
28	128	Window	2
29	129	Door	1
30	130	Window	2
31	131	Door	1
32	132	Window	2
33	133	Door	1
34	134	Window	2
35	135	Door	1
36	136	Window	2
37	137	Door	1
38	138	Window	2
39	139	Door	1
40	140	Window	2
41	141	Door	1
42	142	Window	2
43	143	Door	1
44	144	Window	2
45	145	Door	1
46	146	Window	2
47	147	Door	1
48	148	Window	2
49	149	Door	1
50	150	Window	2

**CERTIFICATE OF ARCHITECT**  
 I HAVE RECEIVED THE STRUCTURAL DESIGN AND CALCULATION HAS BEEN MADE AS PER WORKING AND SPECIFICATIONS SHOWN AND DRAWN IN ALL RESPECTS.  
 THE PLAN IS SAFE & STABLE IN ALL RESPECTS.  
 THE REPORT IS SO LEST ONE BY ABOVE FOR HIS CALCULATION.

**CERTIFICATE OF STRUCTURAL ENGINEER**  
 I HAVE RECEIVED THE STRUCTURAL DESIGN AND CALCULATION HAS BEEN MADE AS PER WORKING AND SPECIFICATIONS SHOWN AND DRAWN IN ALL RESPECTS.  
 THE PLAN IS SAFE & STABLE IN ALL RESPECTS.  
 THE REPORT IS SO LEST ONE BY ABOVE FOR HIS CALCULATION.

**SIGNATURE OF ARCHITECT**  
 RAJAGOPAL & ASSOCIATES  
 19

**CERTIFICATE OF OWNER**  
 I HAVE RECEIVED THE ARCHITECTURAL DRAWINGS AND CALCULATION HAS BEEN MADE AS PER WORKING AND SPECIFICATIONS SHOWN AND DRAWN IN ALL RESPECTS.  
 THE PLAN IS SAFE & STABLE IN ALL RESPECTS.  
 THE REPORT IS SO LEST ONE BY ABOVE FOR HIS CALCULATION.

**SIGNATURE OF OWNER**  
 ALOKE KROY  
 ADDRESS: RAJAGOPAL & ASSOCIATES  
 19