

SPECIFICATIONS:

- 1) SINGLE LAYER BFS WITH PICKED JHAMA BRICKS.
- 2) 250 MM THICK FIRST CLASS BRICKWORK WITH CEMENT MORTAR (1:6) AT OUTSIDE WALLS.
- 3) 125 MM THICK FIRST CLASS BRICKWORK WITH CEMENT MORTAR (1:4) WITH APPROVED HB NETTING IN EVERY ALTERNATE LAYER AT INSIDE WALLS.
- 4) 25 MM THICK DPC WITH CEM. CONC. (1:2:4) WITH 6 MM DOWN STONE CHIPS AND 5% WATER PROOFING COMPOUND.
- 5) WOODWORK IN DOOR FRAMES WITH WOOD. 38 MM THICK DOOR SHUTTERS WITH WOOD.
- 6) ALSO FLUSH DOORS WITH PLY.
- 7) WINDOWS ARE ALUMINIUM FULLY GLAZED AND paneled fitted with M.S. GRILL. 19 MM THK. CEM. PLASTER (1:6) TO INSIDE AND OUTSIDE WALLS.
- 8) 6 MM THK. CEM. PLASTER (1:3) TO CEILING, BEAMS, CHAJJA ETC.
- 9) TILES FLOORING AS PER SPECIFIC PAINTING AND COLOUR WASHING SHOULD BE DONE IN TWO COATS OVER A COAT OF PRIMING AS PER APPROVED STANDARD PAINT.
- 10) RAIN WATER PIPES SHALL BE OF CAST IRON, FINISHED WITH 15% PAINT. ALL SANITARY, WATER SUPPLY & ELECTRICAL FITTINGS SHALL BE OF FIRST CLASS MATERIAL.
- 11) DEPTH OF SEMI UNDER GROUND WATER RESERVOIR SHALL NOT EXCEED THE DEPTH OF FOUNDATION OF NEIGHBORING COLUMNS.

NOTE : 1) ALL RISER = 5", 5.5", 6" AND ALL TREAD = 10"

- 2) PLOT LINE - THICK BLACK -
- 3) EXISTING STREET - GREEN WASH -
- 4) PROPOSED WORK - RED FILLED IN -

PROJECT NAME -

ARCHITECTURAL PLAN OF {G+5 STORIED RESIDENTIAL CUM COMMERCIAL BUILDING (FLAT) OF NEW GANESH CONSTRUCTION AT R.N TAGORE ROAD, WARD NO - 22, HOLDING NO - 84, UNDER KRISHNANAGAR MUNICIPALITY, P.S KOTWALI, KRISHNANAGAR, DIST -NADIA.

PROJECT ADDRESS -

J.L NO-93,94, MOUJA- GOARI, GOBINDASARAK, KHATIAN NO- R.S-31,399, L.R-2619,2626,2636,2630,2620,2628,2637, 2632,2634,2622,2635,2623,2631,2624,2633,2621, 2625,2629,2627,4248,886,705. PLOT NO- R.S-559,553,554 L.R-657,554,553

LAND OF AREA (18.15DEC).

NAME OF THE DEVELOPER FARM- NEW GANESH CONSTRUCTION OWNER'S CUM PARTNER'S NAME & SIGNATURE

1. SMT RUPA GHOSH, W/O-SRI KUNAL GHOSH.
2. SMT. JAYANTIKA GHOSH, W/O-SRI TAPAN GHOSH.
3. SMT. KEYA BHADAR, W/O-SRI SANDIP BIKASH BHADAR.
4. SRI DWIPENDRA BRAHMA, S/O-LATE BISWANATH BRAHMA.
5. SRI DEBJYOTI BRAHMA, S/O-DWIPENDRA BRAHMA.

AREA STATEMENT	AREA (SQM)	AREA (SQFT)	PARKING (SQFT)	DUCK AREA (SQFT)
GROUND FLOOR	690.28	7430.21	1331.15	
FIRST FLOOR	690.28	7430.21		86.64-99.18-76.86-202.68
SECOND FLOOR	690.28	7430.21		86.64-99.18-76.86-202.68
THIRD FLOOR	690.28	7430.21		86.64-99.18-76.86-202.68
FOURTH FLOOR	690.28	7430.21		86.64-99.18-76.86-202.68
FIFTH FLOOR	690.28	7430.21		86.64-99.18-76.86-202.68
TOTAL	4141.68 SQM	44,581.26 SQFT.	1331.15 SQFT.	810.72 SQFT.

COVERED AREA = 43741.1 SQFT.

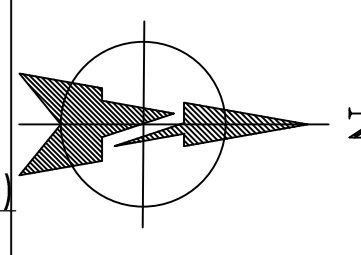
I CERTIFY WITH FULL RESPONSIBILITY THAT THE BUILDING PLAN HAS BEEN DRAWN TIME THAT THE SITE CONDITION INCLUDING THE WIDTH OF THE ABUTTING ROAD CONFORM WITH THE PLAN AND IT IS BUILDABLE SITE AND NOT TANK OR FILLED UP TANK.

L.B.S SIGNATURE -

THE STRUCTURAL DESIGN & DRAWING OF BOTH FOUNDATION & SUPER STRUCTURE OF THE BUILDING HAS BEEN MADE BY ME CONSIDERING ALL POSSIBLE LOADS INCLUDING THE SEISMIC LOAD AS PER THE NATIONAL BLDG. CODE OF INDIA AND CERTIFIED THAT IT IS SAFE AND STABLE IN ALL RESPECT.

STRUCTURAL ENGINEER'S signature -

Architectural drawing for Sanction (Krishnagar Municipality) of PROPOSED COMMERCIAL CUM RESIDENTIAL BUILDING (SUNFLOWER APARTMENTS) AT R.N TAGORE ROAD, KRISHNAGAR, NADIA

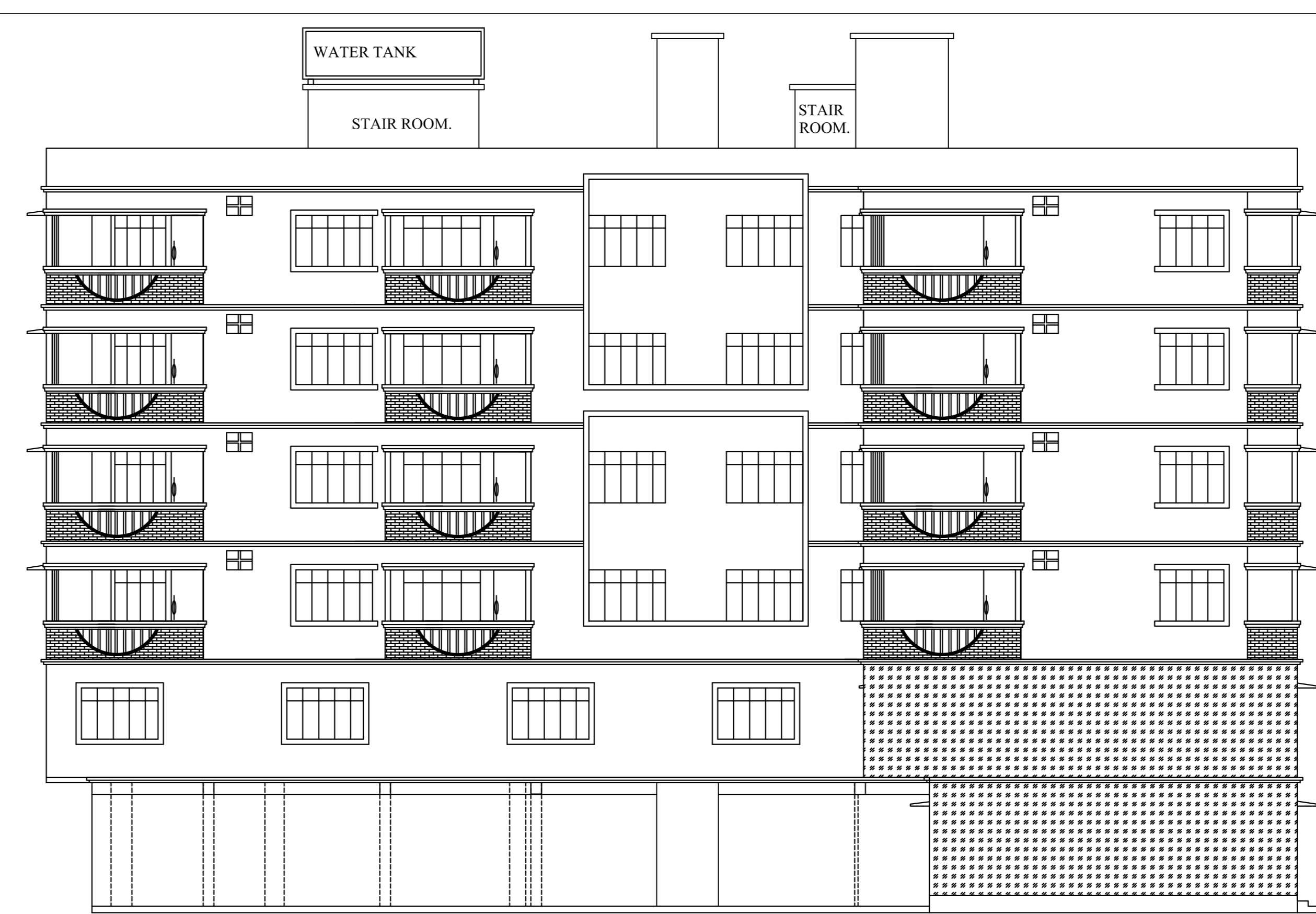


ARCHITECTONIC CONT-993439112 info@architonic.com 1189X841

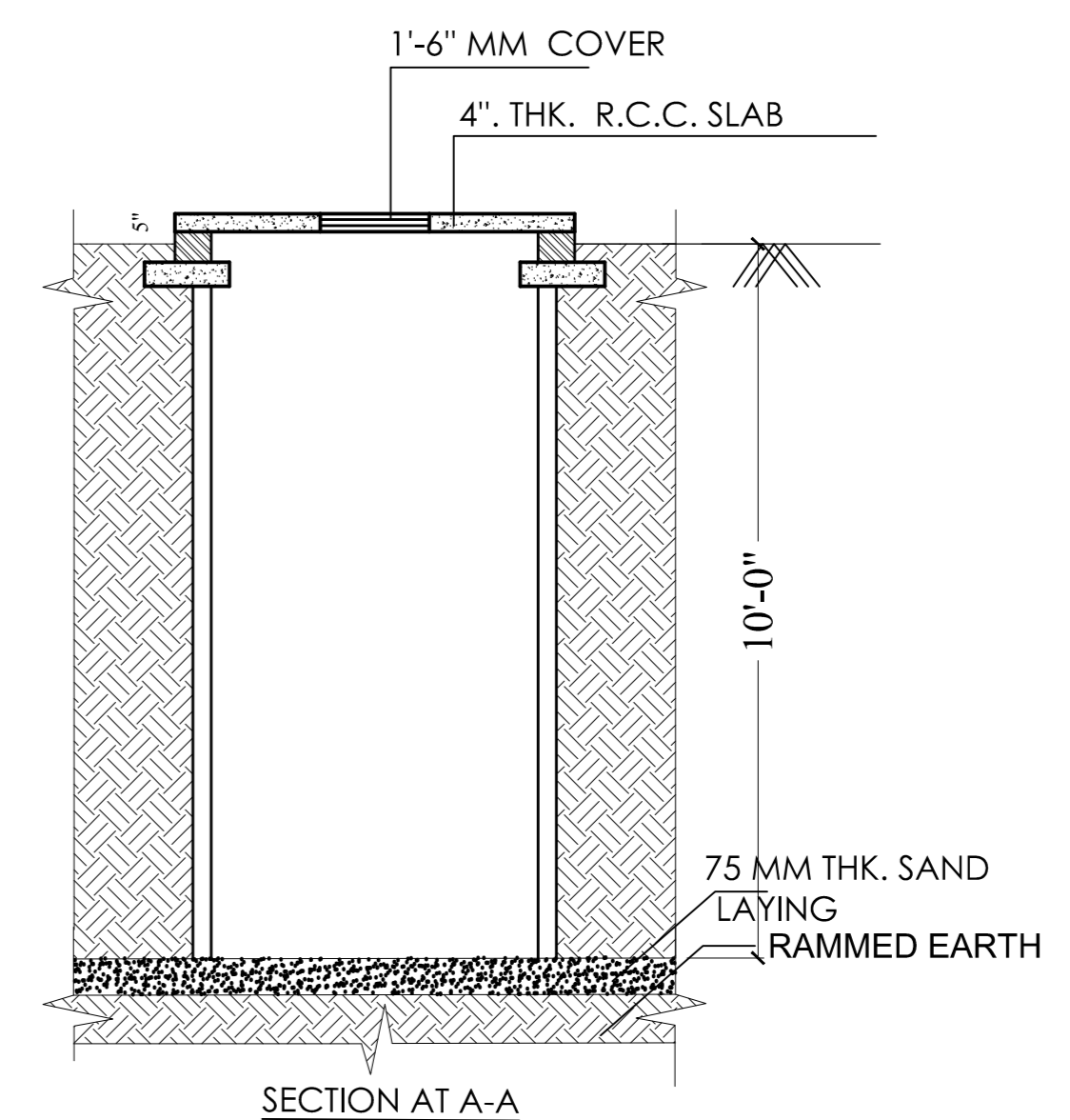
INFORMATION MUNICIPAL CONSTRUCTION



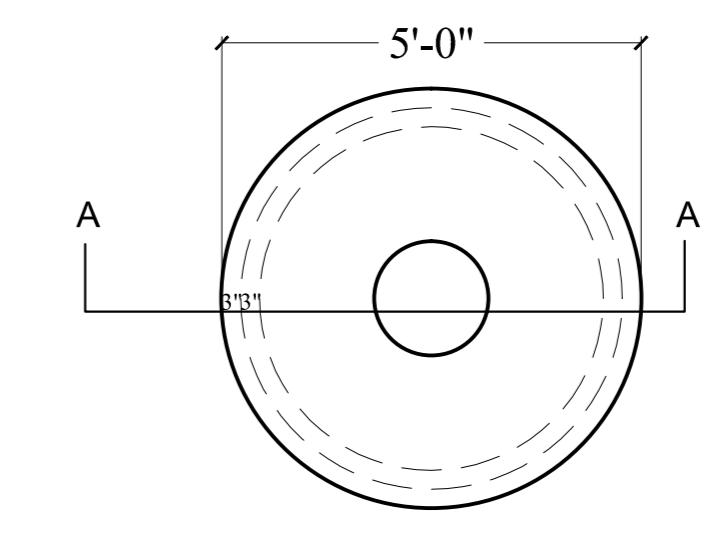
FRONT ELEVATION SCALE 1:96



SOUTH SIDE ELEVATION SCALE 1:96



SECTION AT A-A



PLAN AND SECTION OF SEPTIC TANK FOR 65 USERS SCALE - 1"=4'



SECTION A-A SCALE 1:96

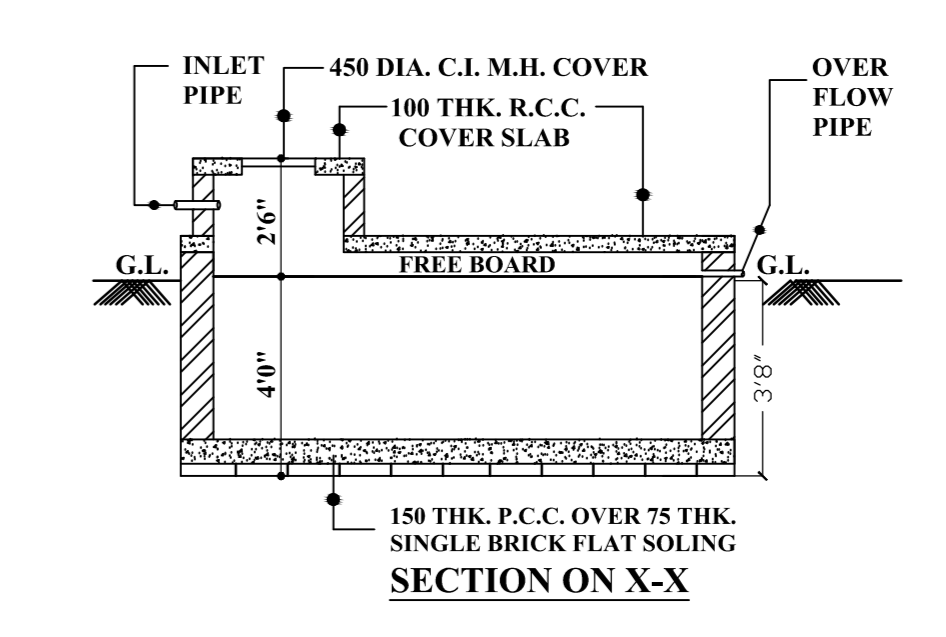


SECTION B-B SCALE 1:96

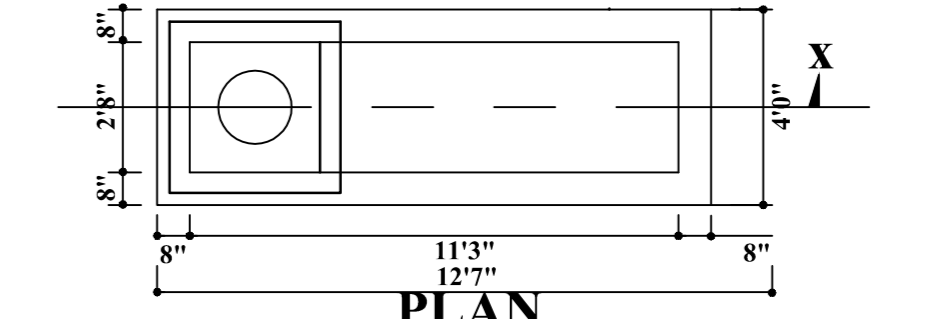
DOOR AND WINDOW SCHEDULE

WINDOW SCHEDULE		
SL. NO.	NAME OF WIND.	SIZE (FEET AND INCH) (WxH)
1.	W	6'0"x4'0"
2.	W1	5'0"x4'0"
3.	W2	4'0"x4'0"
4.	W3	3'0"x4'0"
5.	SL	2'0"x1'6"
6.	SL1	4'0"x6'6"
7.	RS	AS PER SPEC.
8.	ENT.	4'0"x7'4"

DOOR SCHEDULE		
SL. NO.	NAME OF DOOR.	SIZE (MM) (WxH)
1.	ENT.	3'4"x7'0"
2.	D	3'0"x7'0"
3.	D1	2'6"x7'0"
4.	D2	2'0"x7'0"



SECTION ON X-X



PLAN OF SEMI UNDER GROUND WATER RESERVOIR SCALE - 1"=4' 500 G.L.N. CAP.



PROPOSED 4TH FLOOR PLAN SCALE 1:96



PROPOSED 5TH FLOOR PLAN SCALE 1:96