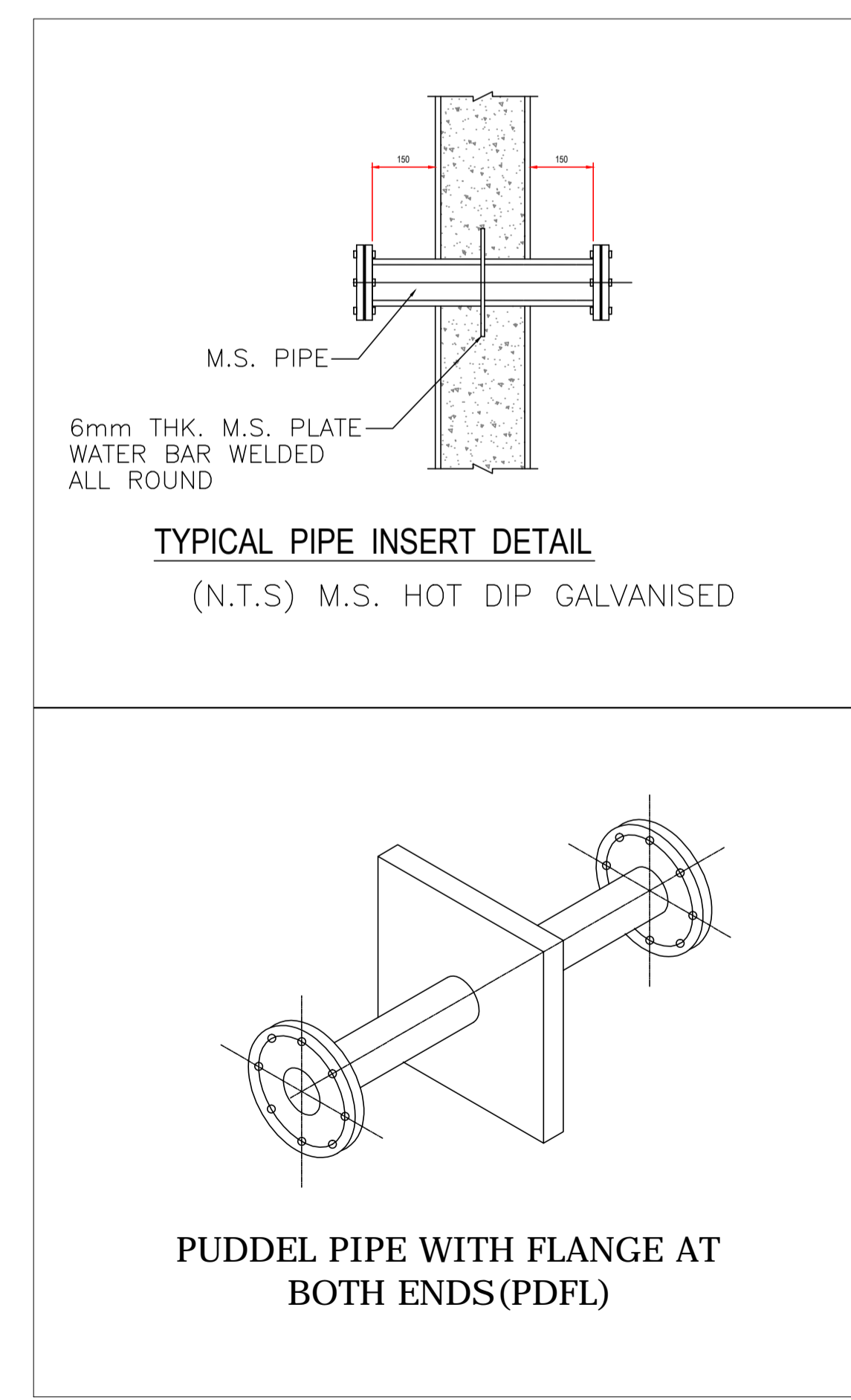
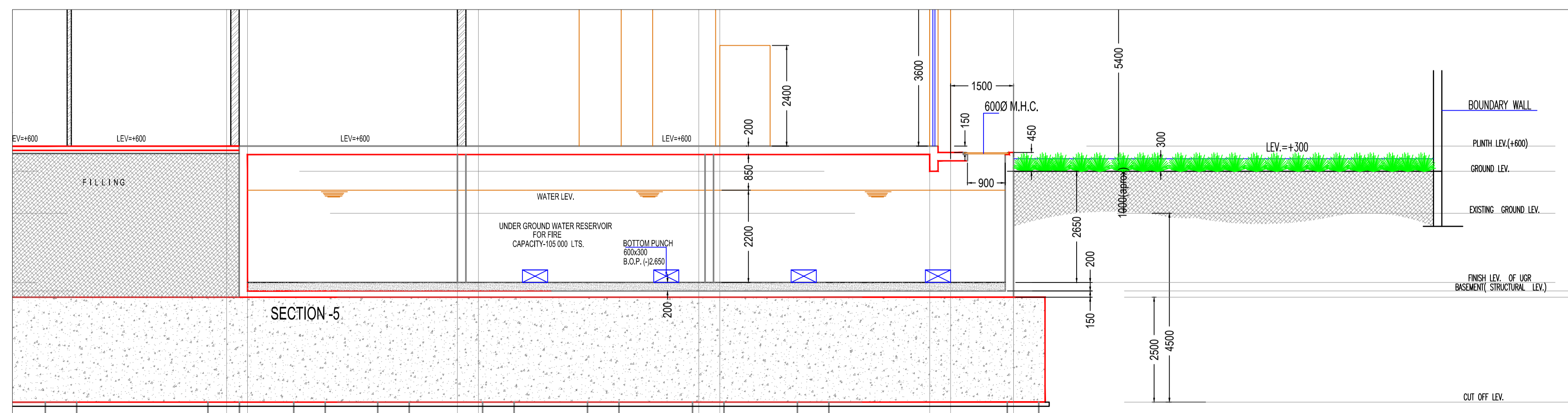
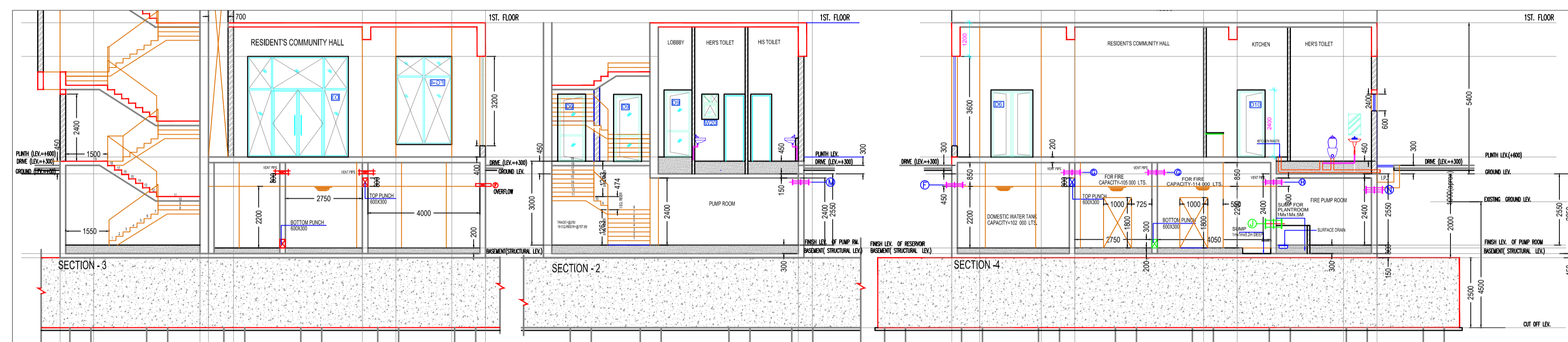


(PIPE INSERT SCHEDULED) (M.S. HOT DIP GALVANISED)
 (UNDER GROUND WATER STORAGE TANK)

SR NO.	DESCRIPTION	SIZE x LENGTH mm mm	QTY.	LEVEL.
A	MUNICIPAL INLET	100ø x 750 M.S.	1 NO.	B.O.P. (-)0.300
B	TANKER INLET	100ø x 750 M.S.	1 NO.	B.O.P. (-)0.300
C	FIRE BRIGADE INLET CONNECTION	150ø x 750 M.S.	1 NO.	B.O.P. (-)0.300
D	FIRE BRIGADE ADOPTOR CONNECTION	150ø x 750 M.S.	1 NO.	B.O.P. (-)0.300
F	OVERFLOW FOR DOMESTIC TANK	100ø x 600 M.S.	2 Nos.	B.O.P. (-)0.450
G	VENT FOR WATER STORAGE TANKS	100ø x 600 M.S.	4 Nos.	B.O.P. (-)0.000
H	VENT FOR WATER STORAGE TANKS	100ø x 600 M.S.	2 Nos.	B.O.P. (-)0.350
J	OUTLET FOR FIRE WATER STORAGE TANK	250ø x 600 M.S.	1 No.	B.O.P. (-)1.910
K	OUTLET FOR DOMESTIC WATER STORAGE TANK	100ø x 600 M.S.	1 No.	B.O.P. (-)0.350
L	MANHOLE OPENING	1200x900 CUTOUT	3 Nos.	TOP OF TANK
M	SUMP PUMP DELIVERY PIPE	100ø x 600 M.S.	1 No.	B.O.P. (-)0.350
N	EXTERNAL HYDRANT PIPE	150ø x 750 M.S.	1 No.	B.O.P. (-)0.650

NOTE : SLEEVE LEVELS ARE AS PER ASSUMED GROUND LEVEL IS (±) 0.00M



NOTES:
 LEGEND & SYMBOLS :

NO.	DATE	DESCRIPTION	BY	APP'D	CHK'D
00	14/05/2016	ISSUE FOR PERMIT	KISHOR		
01	14/05/2016	ISSUE FOR PERMIT	KISHOR		

PROJECT:
 " RSH SIGNATURE "
 PROPOSED PARTLY B+G+31
 STORED RESIDENTIAL GREEN
 BUILDING AT PREMISES NO
 17 D PRINCE GULAM MOHAMMAD
 SHAH ROAD,KOLKATA.

PURPOSE OF RELEASE:
 GOO FOR CONSTRUCTION

CLIENT:
 KEY PLAN

ARKK consulting
 Design Engineering Project Management
 4, Summer Building, Pandurang Budhkar Marg,
 Worli, MUMBAI - 400 016.
 PHONE:(022) 4025 0100 FAX:(022)2496 0488
 E-mail: rnj@arkkconsulting.com

DRAWING TITLE:
 17D
 UG.TANK SLEEVE LAYOUT
 BASEMENT FLOOR

NAME	DATE	SIGN
DRAWN BY KISHOR	14/05/2016	
CHECKED BY PRASAD	14/05/2016	
APPROVED BY R.N.JOSHI	14/05/2016	

DRAWING No. A/17D/UGT SLEEVE/001 SCALE 1:1
 REV 00