

**SLAB SCHEDULE**

SLAB MKD.	SLAB THK.	SHORTER SPAN	LONGER SPAN
S1	150	8 T 100 c/c 8 T 125 c/c	8 T 150 c/c 8 T 175 c/c
S2	125	8 T 150 c/c 8 T 150 c/c	8 T 175 c/c 8 T 200 c/c
S3	110	8 T 125 c/c 8 T 150 c/c	8 T 175 c/c 8 T 200 c/c

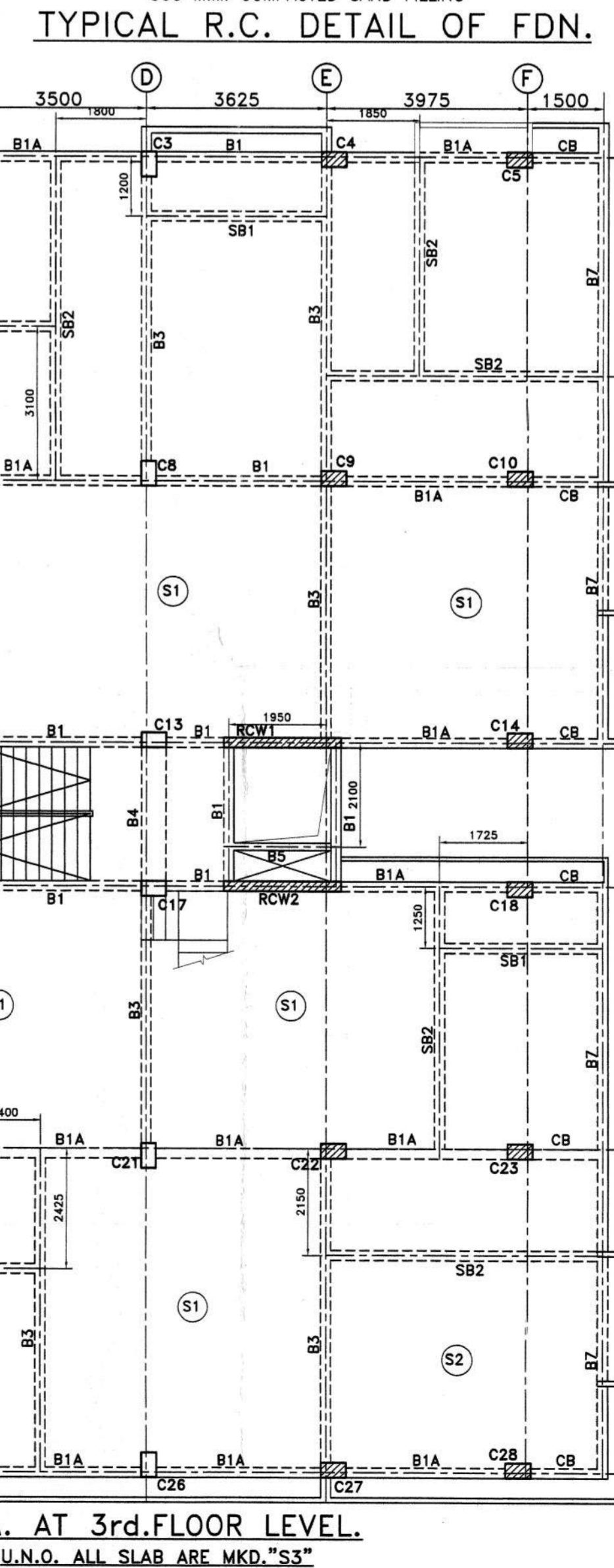
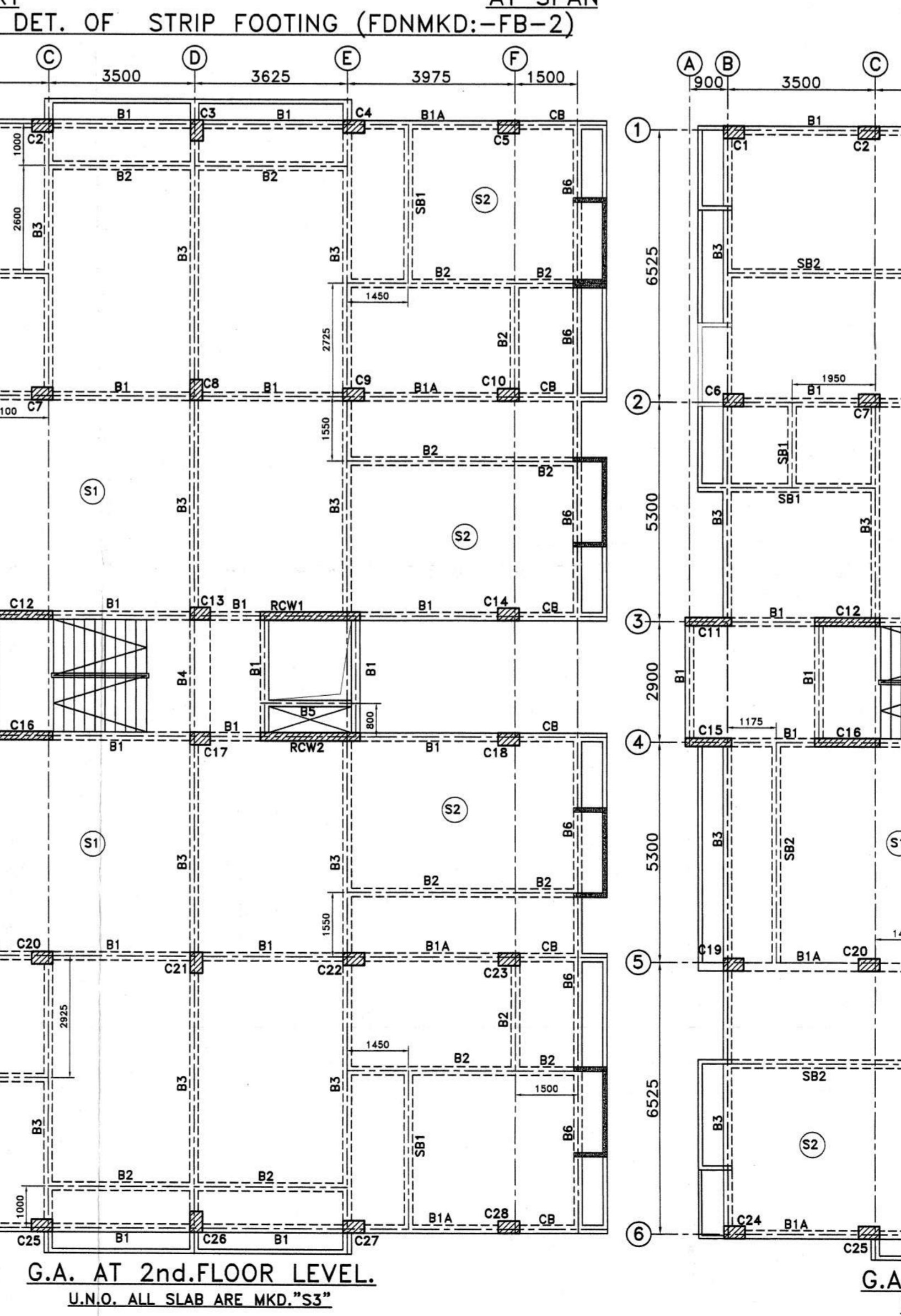
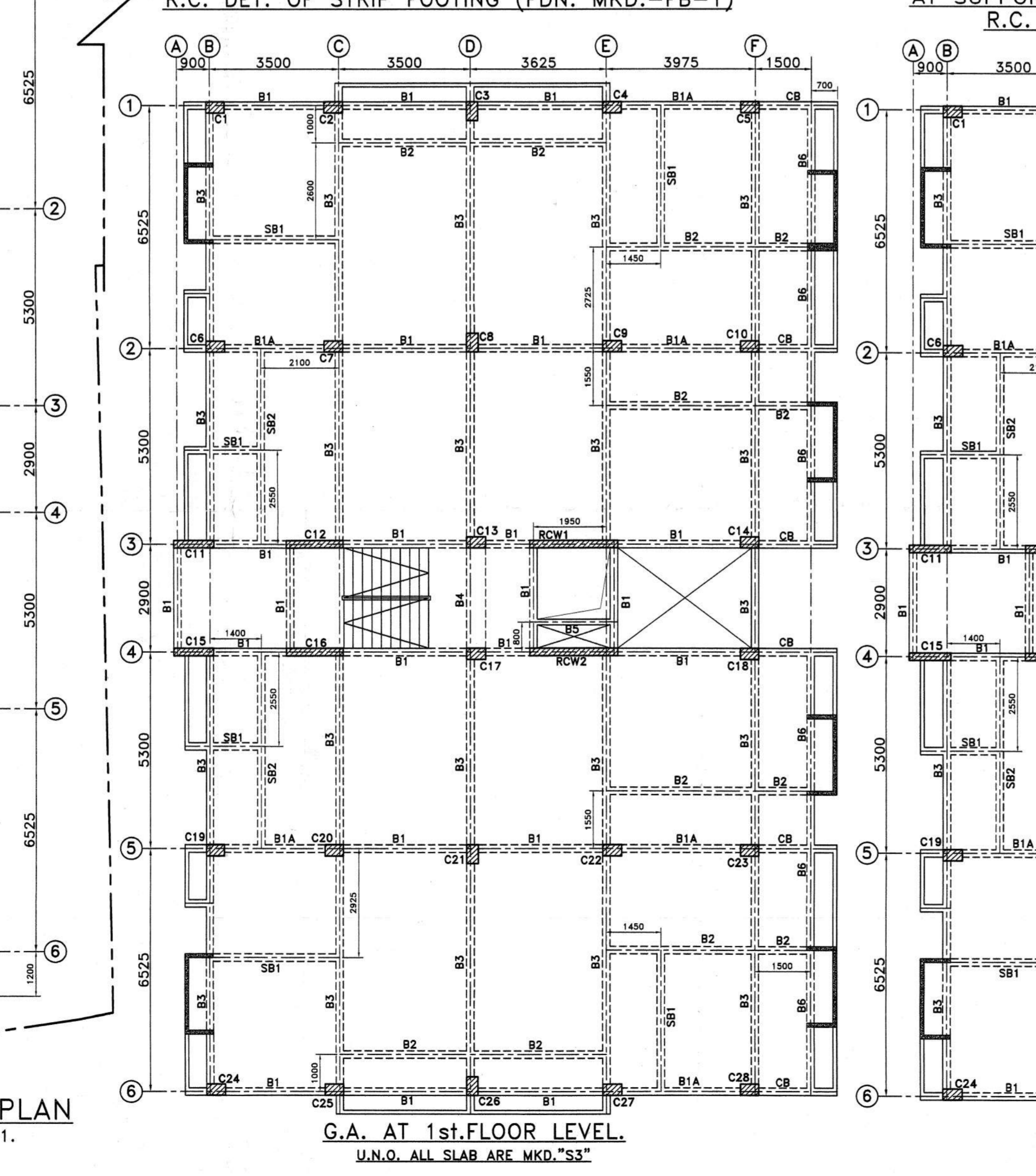
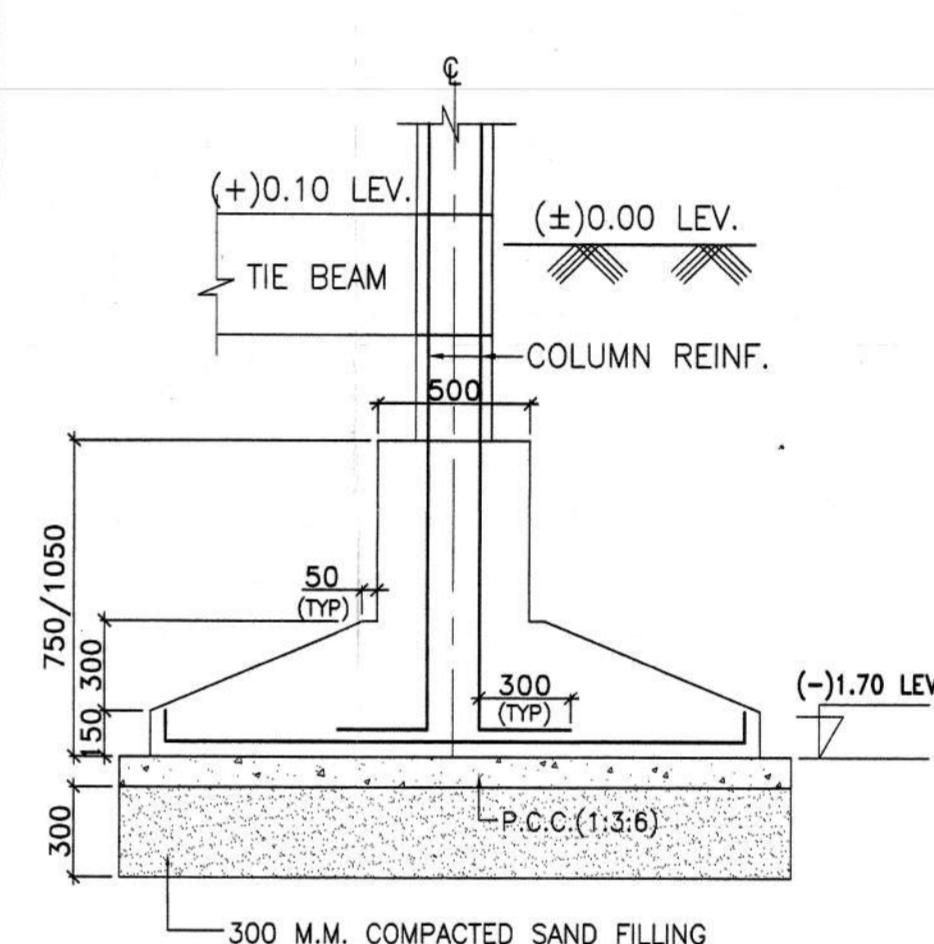
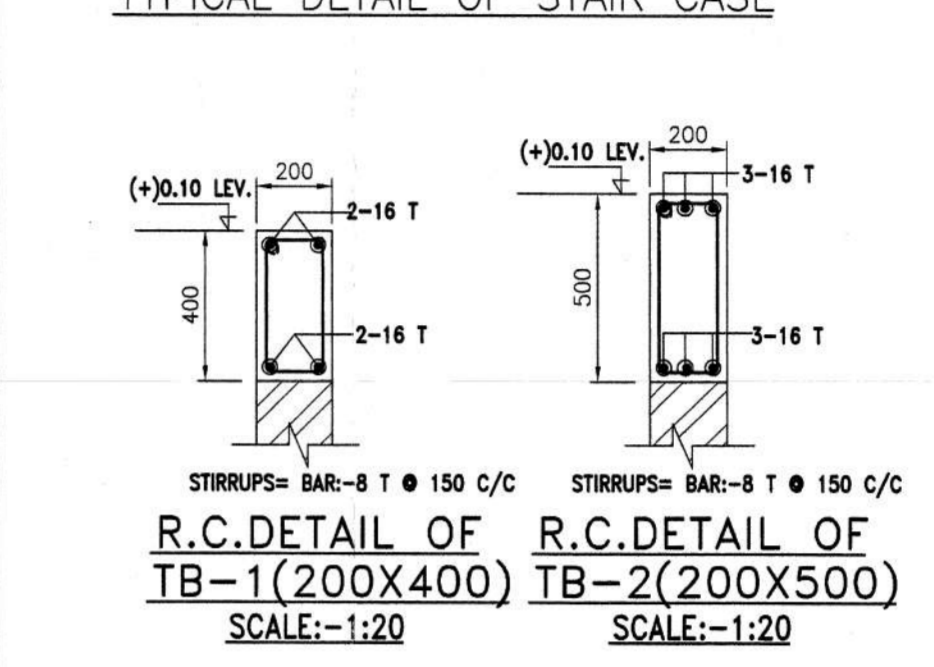
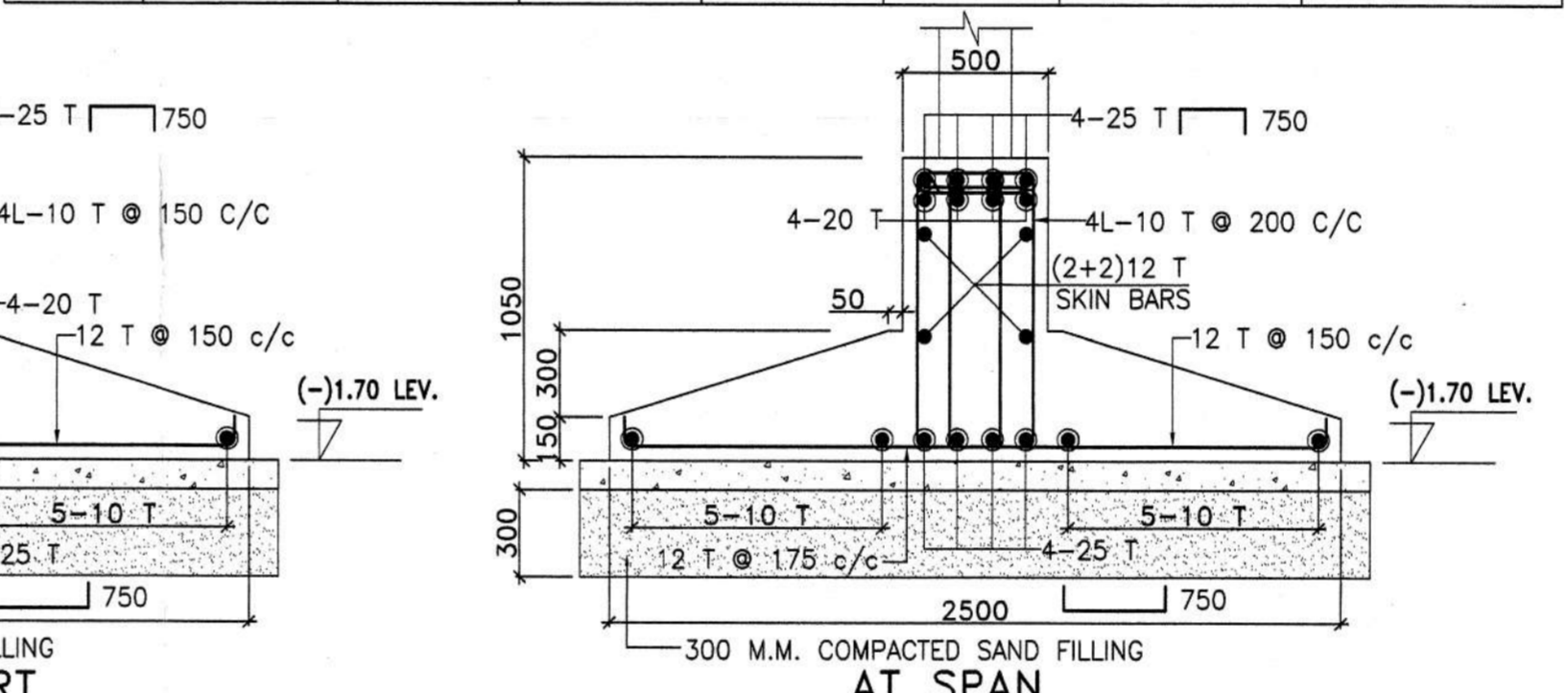
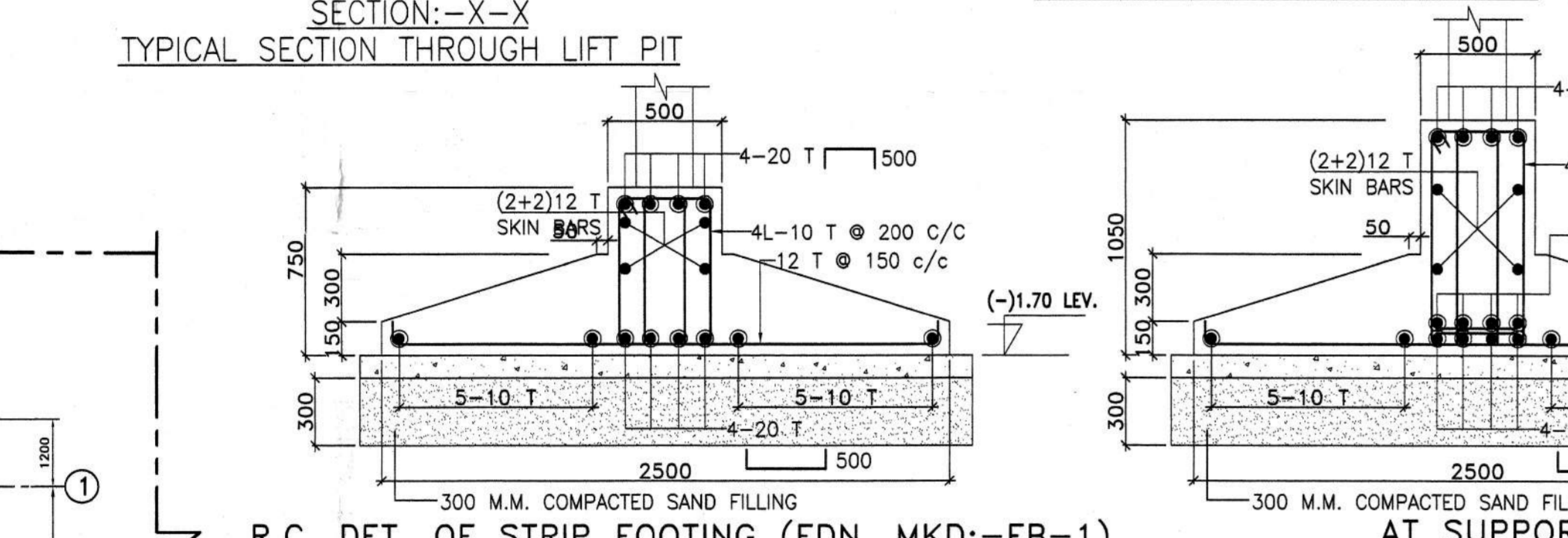
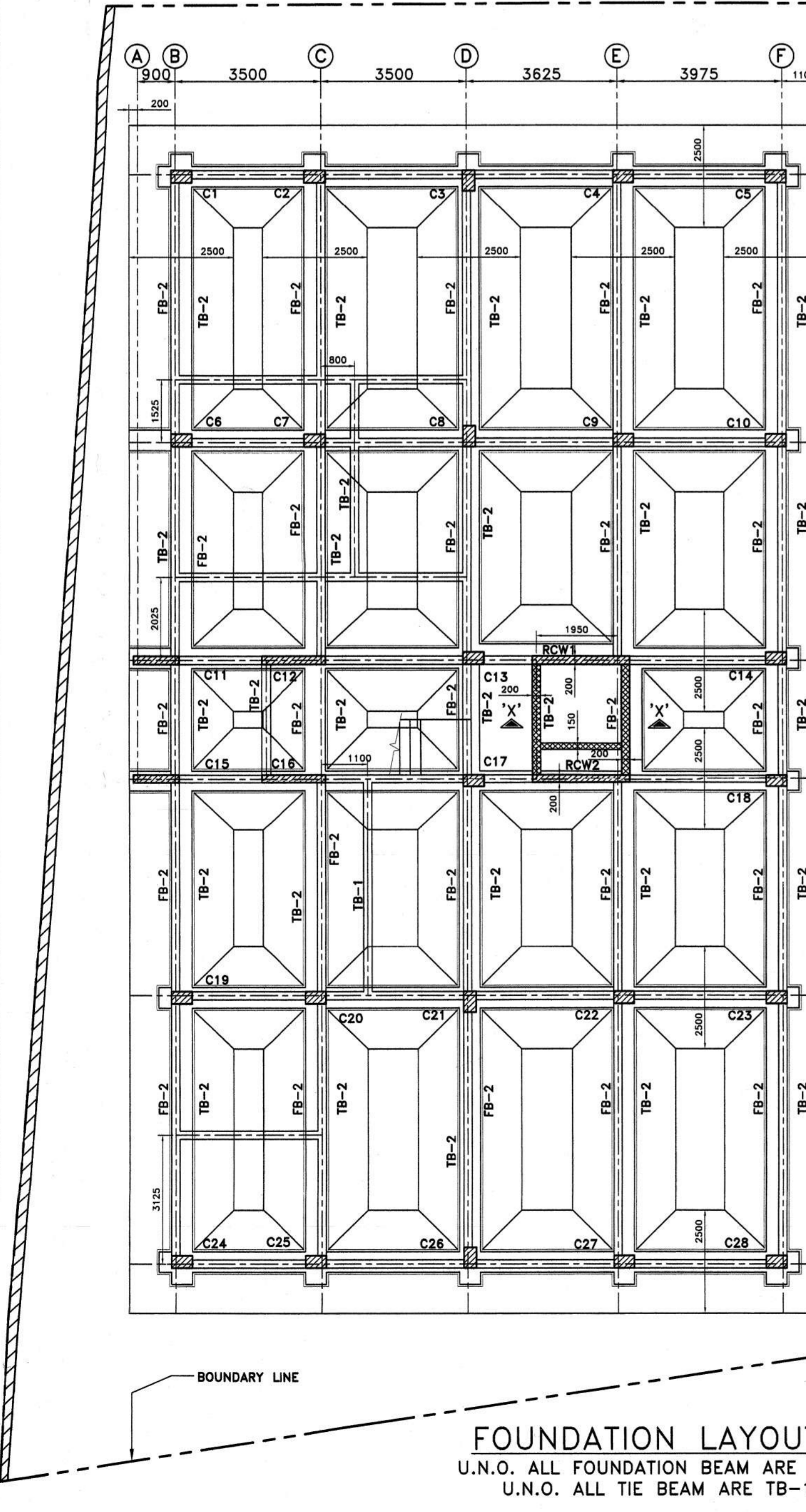
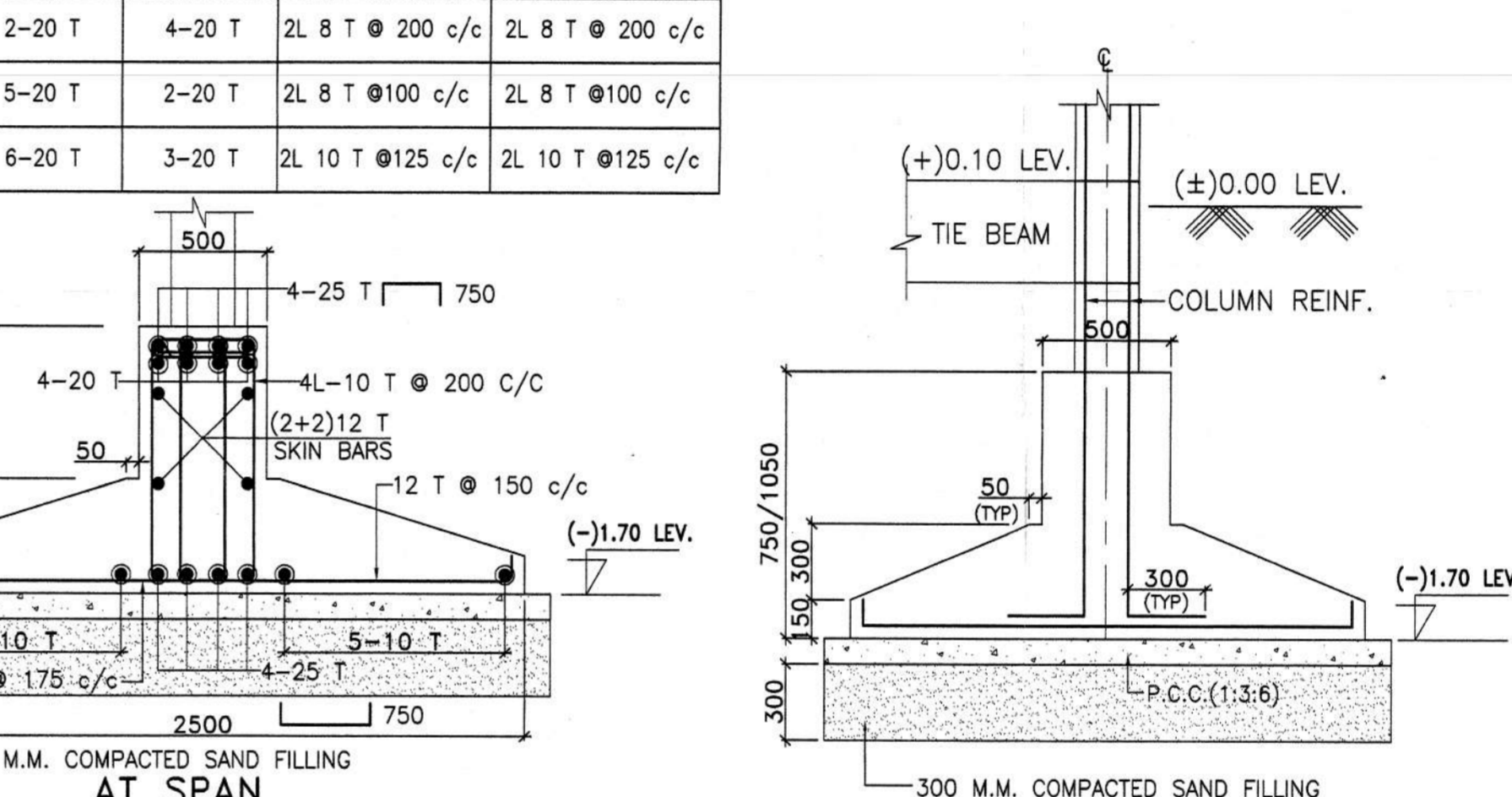
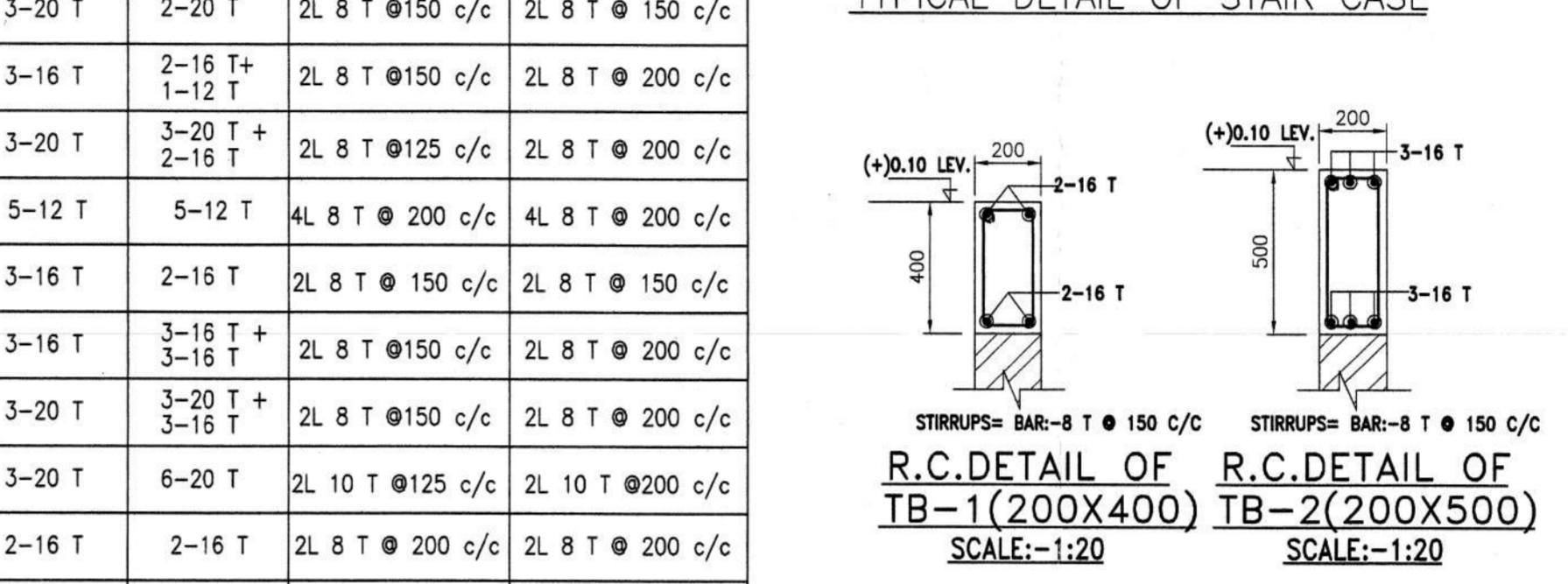
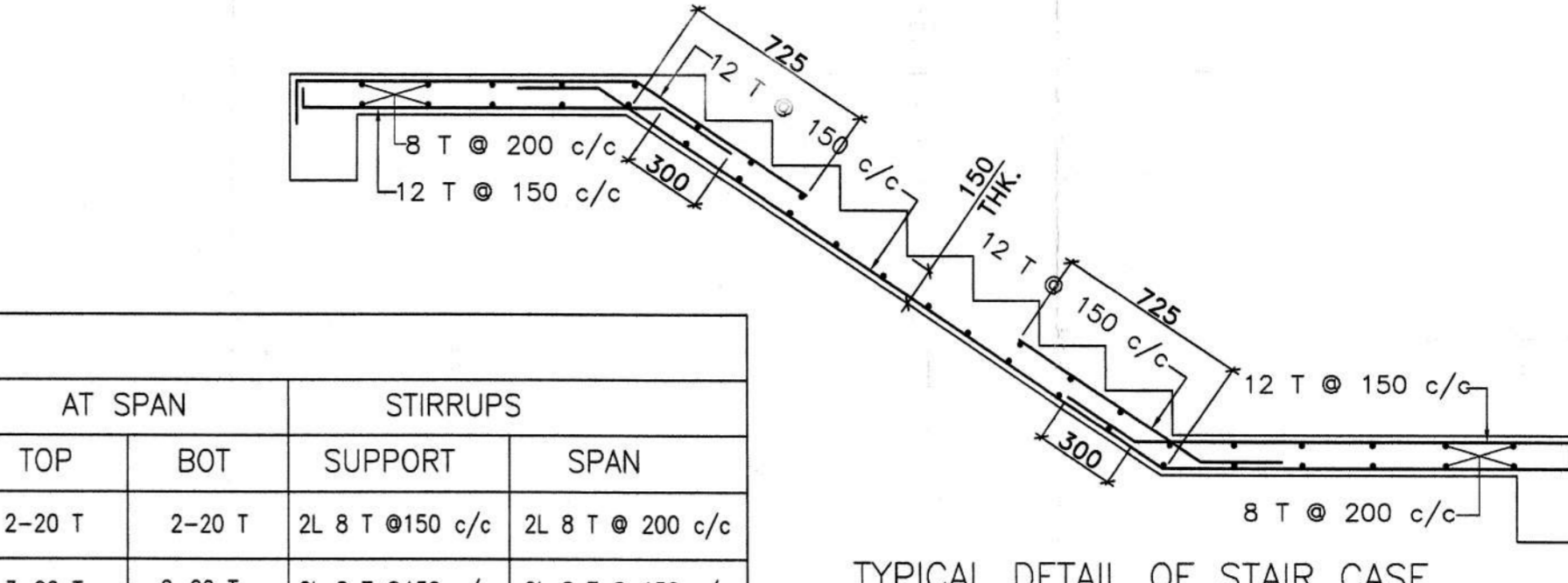
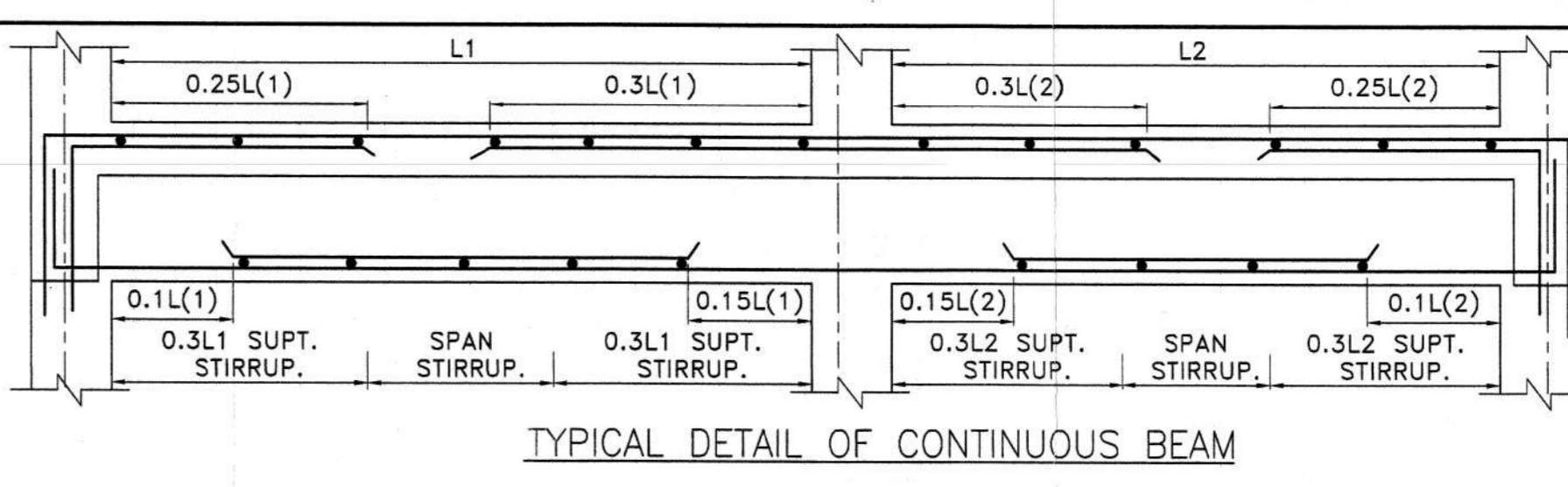
PROVIDE 8T@200C/C WHEREVER NECESSARY

**COLUMN SCHEDULE**

COLUMN MKD.	COL. SIZE	REINFORCEMENT		
		FDN. TO 1st FLOOR	1st FLOOR TO 3rd FLOOR	3rd FLOOR TO ROOF
C11,C15.	200X1100	8-16tor.+8-12tor.	8-16tor.+8-12tor.	4-16tor.+12-12tor.
C12,C16.	200X1525	20-16tor.	12-16tor.+8-12tor.	12-16tor.+8-12tor.
C1,C24.	300X500	8-16tor.	8-16tor.	4-16tor.+4-12tor.
C3,C8,C13,C17,C21,C26.	300X500	10-16tor.	6-16tor.+4-12tor.	END AT 3rd. FL. LEV.
C5,C6,C10,C14,C18,C19,C23,C28.	300X500	8-20tor.+2-16tor.	4-20tor.+6-16tor.	10-16tor.
C2,C4,C7,C9,C20,C22,C25,C27.	300X500	10-20tor.	10-20tor.	10-20tor.
RCW1,RCW2.	200X2350	16-16tor.+12-12tor.	8-16tor.+20-12tor.	8-16tor.+20-12tor.

**BEAM SCHEDULE**

BEAM MKD	SIZE (IN mm)	AT SUPPORT		AT SPAN		STIRRUPS	
		TOP	BOT	TOP	BOT	SUPPORT	SPAN
B1	200X500	2-20 T	2-20 T	2-20 T	2-20 T	2L 8 T @150 c/c	2L 8 T @ 200 c/c
B1A	200X500	5-20 T	2-20 T	3-20 T	2-20 T	2L 8 T @150 c/c	2L 8 T @ 150 c/c
B2	200X500	3-16 T	2-16T	3-16 T	2-16 T	2L 8 T @150 c/c	2L 8 T @ 200 c/c
B3	200X500	5-20 T	3-20 T	3-20 T	2-16 T + 1-12 T	2L 8 T @125 c/c	2L 8 T @ 200 c/c
B4	500X150	5-12 T	5-12 T	5-12 T	5-12 T	4L 8 T @ 200 c/c	4L 8 T @ 200 c/c
B5	150X500	3-16 T	2-16 T	3-16 T	2-16 T	2L 8 T @ 150 c/c	2L 8 T @ 150 c/c
B6	200X500	3-16 T	3-16 T	3-16 T	3-16 T	2L 8 T @150 c/c	2L 8 T @ 200 c/c
B7	200X500	3-20 T + 2-16 T	3-20 T	3-20 T	3-20 T + 3-16 T	2L 8 T @150 c/c	2L 8 T @ 200 c/c
B8	200X500	6-20 T	3-20 T	3-20 T	6-20 T	2L 10 T @125 c/c	2L 10 T @200 c/c
SB1	200X500	2-16 T	2-16 T	2-16 T	2-16 T	2L 8 T @ 200 c/c	2L 8 T @ 200 c/c
SB2	200X500	2-20 T	2-20 T	2-20 T	4-20 T	2L 8 T @ 200 c/c	2L 8 T @ 200 c/c
CB	200X500	5-20 T	2-20 T	5-20 T	2-20 T	2L 8 T @100 c/c	2L 8 T @100 c/c
CB1	200X500	6-20 T	3-20 T	6-20 T	3-20 T	2L 10 T @125 c/c	2L 10 T @125 c/c



**PROJECT**  
 PROPOSED G + IV STORED (HT. = 15,500 MT.)  
 RESIDENTIAL BUILDING U/S 393 A OF K.M.C. ACT  
 1980 AT PREMISES NO.- 96, BABURAM GHOSH  
 ROAD, KOLKATA - 700040. WARD NO. 97,  
 BOROUGH : X

- NOTES:-**
- THIS DRG. SHALL BE READ IN CONJUNCTION WITH RELEVANT ARCH DRG.
  - ALL DIMENSIONS ARE IN MM & LEVELS AER IN M, U.N.O.
  - GRADE OF CONCRETE:- M25
  - MIX FOR P.C.C. SHALL BE 1:3:6
  - UNLESS OTHERWISE SPECIFIED ALL REINFORCEMENT STEEL SHALL BE OF GRADE F4-500
  - CLEAR COVER TO MAIN REINFORCEMENT:-  
 a. FOUNDATION/FOUNDATION BEAM = 50 mm.  
 b. TIE BEAM/COLUMN = 40 mm  
 c. FLOOR SLAB = 20 mm.
  - LAP/BOND LENGTH SHALL BE 50xD WHERE 'D' IS THE DIA OF BAR.

**DECLARATION OF STRUCTURAL ENGINEER**  
 THE STRUCTURAL DESIGN OF BOTH FOUNDATION AND SUPERSTRUCTURE OF THE BUILDING HAVE BEEN MADE BY ME CONSIDERING ALL POSSIBLE LOADS INCLUDING THE SEISMIC LOAD AS PER N.B.C OF INDIA AND BASIS OF SOIL INVESTIGATION REPORT BY GEOTECH ENGINEERS PVT. LTD. (MR. ALOK ROY & ANIL PARK, KOLKATA-700084). CERTIFY THAT IT IS SAFE AND STABLE IN ALL RESPECT.

*K. Sengupta*  
 KOUSHIK SENGUPTA  
 B.E. (CIVIL), M.E. (STRUCTURE)  
 E. S. E. 1/7/76 (K. M. C.)  
 KOUSHIK SENGUPTA  
 B.E. (CIVIL), M.E. (STRUCTURE)  
 ESE-1978 K.M.C.  
 SIGNATURE OF STRUCTURAL ENGINEER & SEAL

**DECLARATION OF ARCHITECT.**  
 CERTIFIED THAT THE PLAN ITSELF WITH FULL RESPONSIBILITY THAT THE BUILDING PLAN HAS DRAWN UP AS PER PROVISION OF K.M.C. BUILDING RULES 2008, AS AMENDED FROM TIME TO TIME AND THE SITE CONDITION INCLUDING THE ABUTTING ROAD IS CONFORM WITH THE PLAN. IT IS A BUILDABLE SITE NOT A TANK OR FILLED UP TANK. THERE IS AN EX STRUC. TO BE DEMOLISHED BEFORE COMMENCEMENT OF WORK IT IS FULLY OCCUPIED BY THE OWNER AND THERE IS A TENANT.

*Malay Kumar Ghosh*  
 MALAY KUMAR GHOSH  
 Regn. No. CA/92/14854  
 35A, Dr. Sarat Banerjee Road, Kolkata - 700 029  
 MALAY KUMAR GHOSH  
 Regn. No. CA/92/14854  
 Karmakar.  
 SIGNATURE OF ARCHITECT & SEAL

**DECLARATION OF OWNER.**  
 I DO HEREBY DECLARE WITH FULL RESPONSIBILITY THAT, I SHALL ENGAGE L.B.A & ESE DURING CONSTRUCTION. I SHALL FOLLOW THE INSTRUCTION OF L.B.A & E.S.E. DURING CONSTRUCTION OF THE BUILDING (AS PER PLAN) K.M.C. AUTHORITY WILL NOT BE RESPONSIBLE FOR STRUCTURAL STABILITY OF THE BUILDING & ADJOINING STRUCTURE IF ANY SUBMITTED DOCUMENT ARE FAKE. THE K.M.C. AUTHORITY WILL REVOKE THE SANCTION PLAN. THE CONSTRUCTION OF U.G.W & SEPTIC TANK/TANKS UNDER THE GUIDANCE OF LBS/EBE BEFORE STARTING OF BUILDING FOUNDATION.

*Biswadeep Ganguly*  
 Sunbright Developers Pvt. Ltd.  
 Represented by its Director  
 Biswadeep Ganguly  
 as  
 Constituted Attorney of  
 Subir Karmakar, Hiranmoy Karmakar,  
 Samar Karmakar, Sanjay Karmakar,  
 Sonu Karmakar, Ranju Karmakar,  
 Anima Biswas & Anila Chowdhury.  
 Represented by Director  
 Biswadeep Ganguly  
 as  
 Constituted Attorney of  
 Subir Karmakar, Hiranmoy Karmakar, Samar  
 Karmakar,  
 Sanjay Karmakar, Sonu Karmakar, Ranju Karmakar,  
 Anima Biswas & Anila Chowdhury.  
 SIGNATURE OF OWNER

**ARCHITECT.**  
 35-A, DR. SARAT BANERJEE ROAD, KOLKATA-700029  
 Tel/Fax : 91-23-2465-4130 / 4159  
 e-mail : espac@sunbri.com  
 WEBSITE : www.espacindia.com

**STRUCTURAL CONSULTANT**  
 K.S.G.PROJECTS AND INFRASTRUCTURE CONSULTANTS  
 P-543 RAJA BASANTA ROY ROAD, KOLKATA - 29.  
 Ph. NO. - 033-4008074/936793811.  
 e-mail:kpsc2010@gmail.com

DRAWN BY : A. HALDER      DESIGNED BY : K.SENGUPTA  
 SCALE : 1:100, 1:50, 1:25      DATE : 14.01.2017.

DRAWING NO. - KPIC/ESPAC/96, BABURAM GHOSH/SANCTION/ST-01  
 THIS DRAWING IS THE SOLE PROPERTY OF KSG PROJECTS AND INFRASTRUCTURE CONSULTANTS AND IS NOT TO BE COPIED OR REPRODUCED WITHOUT THEIR PERMISSION.