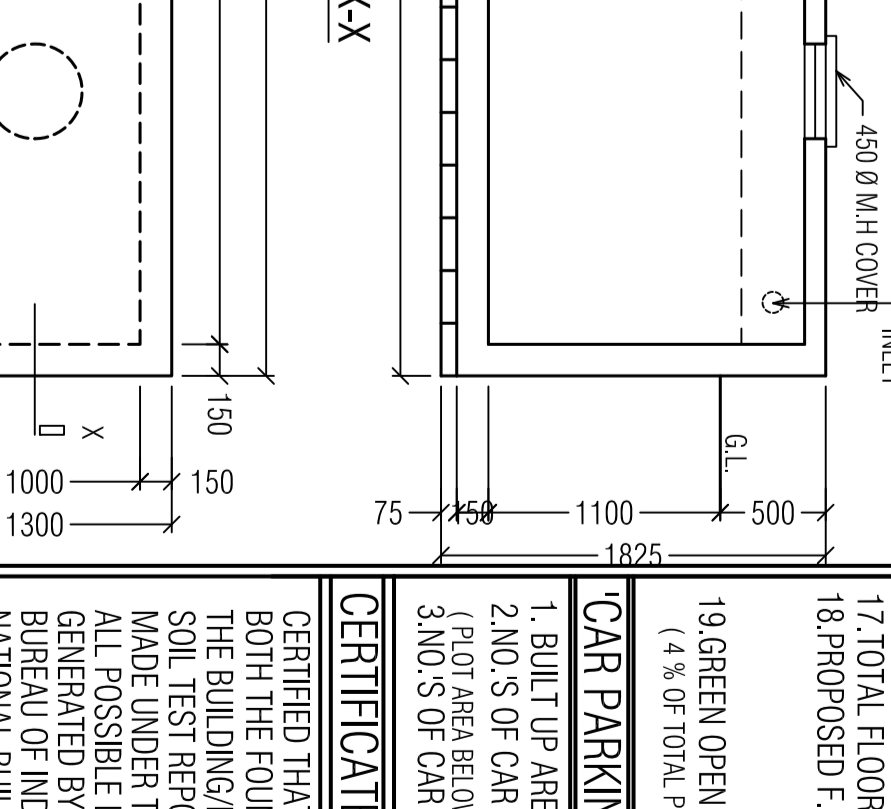
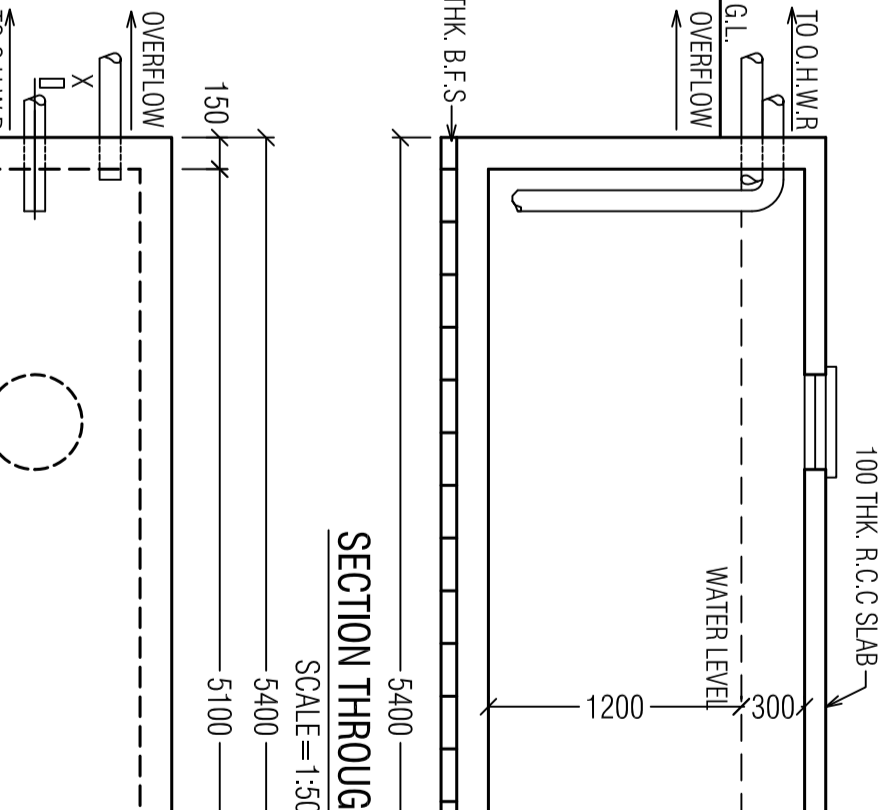
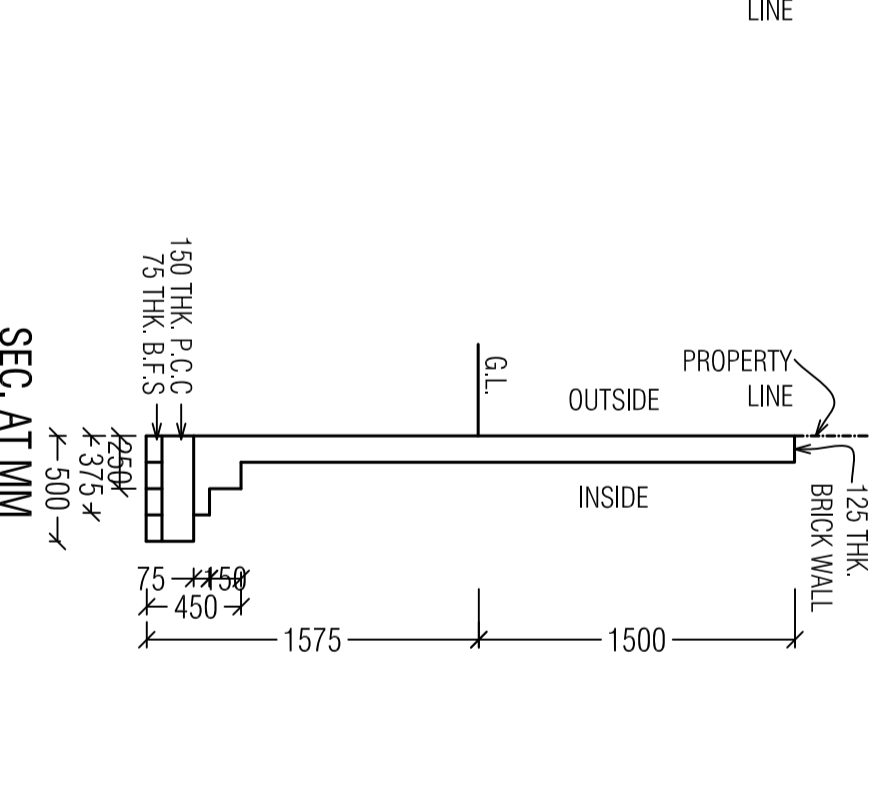
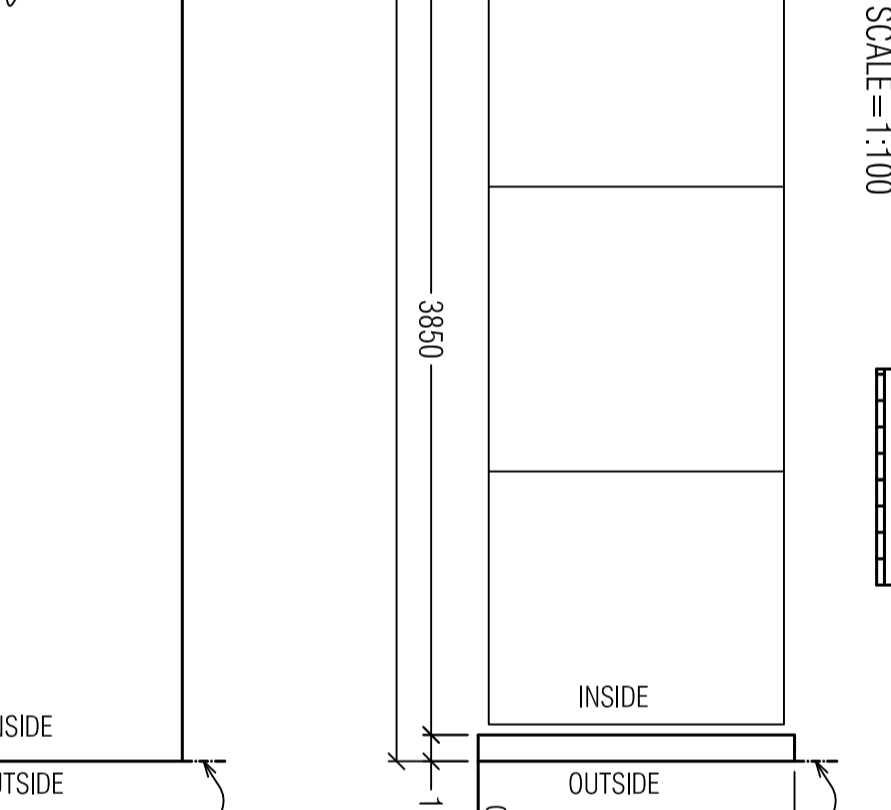
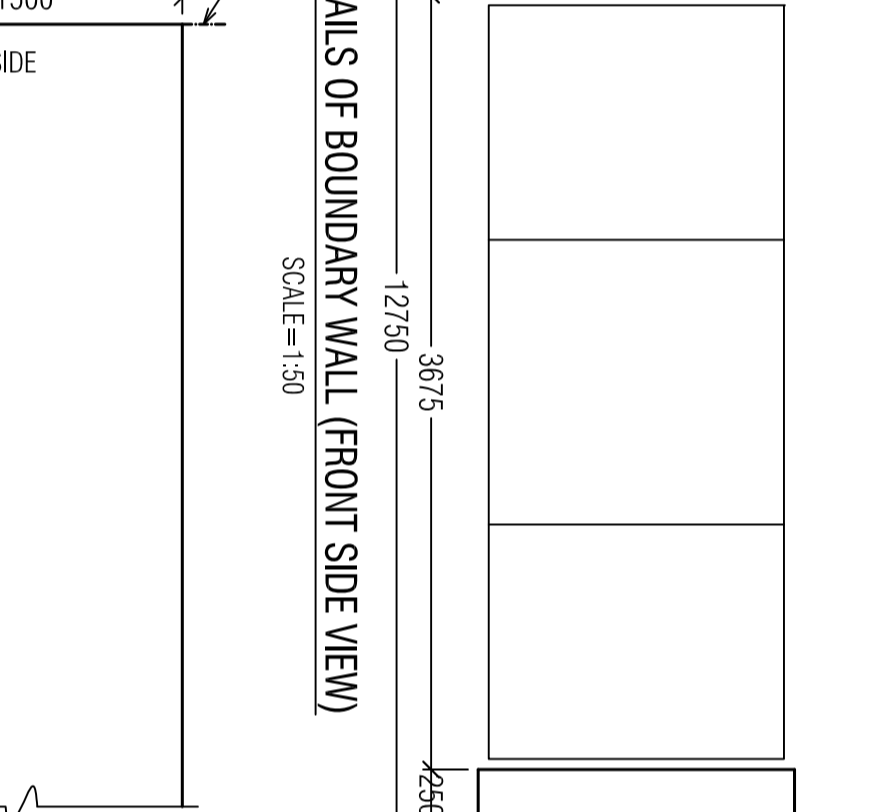
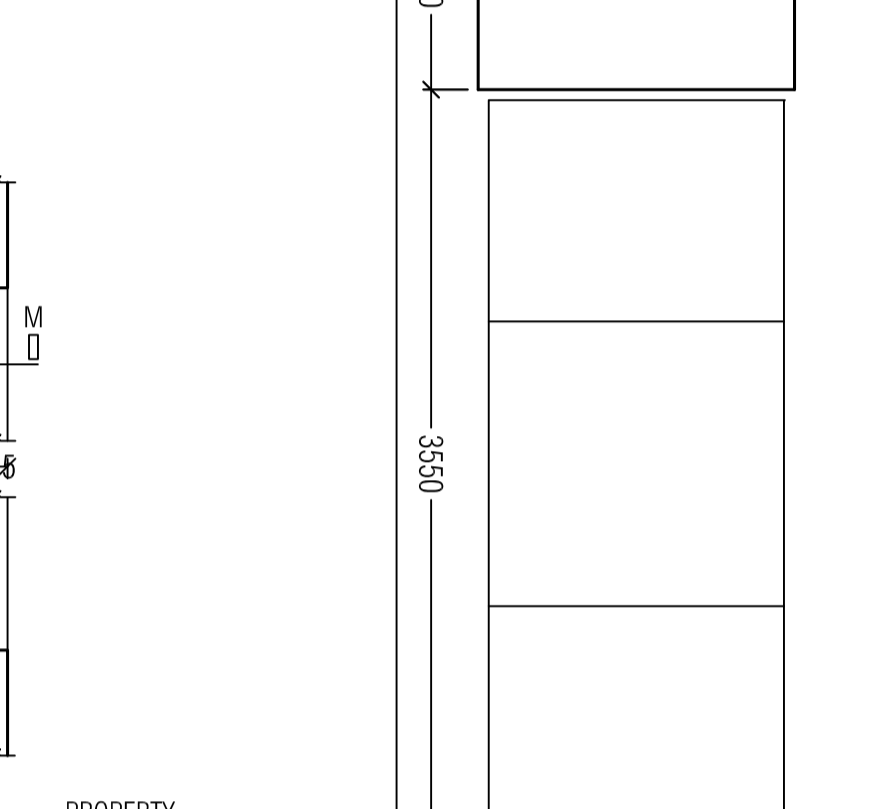
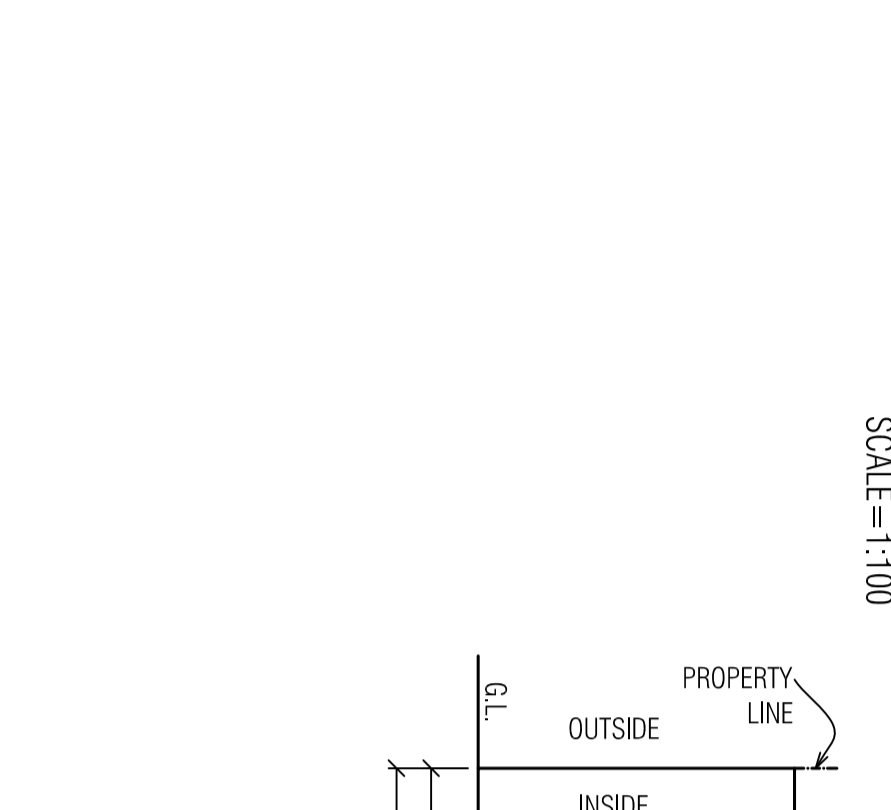
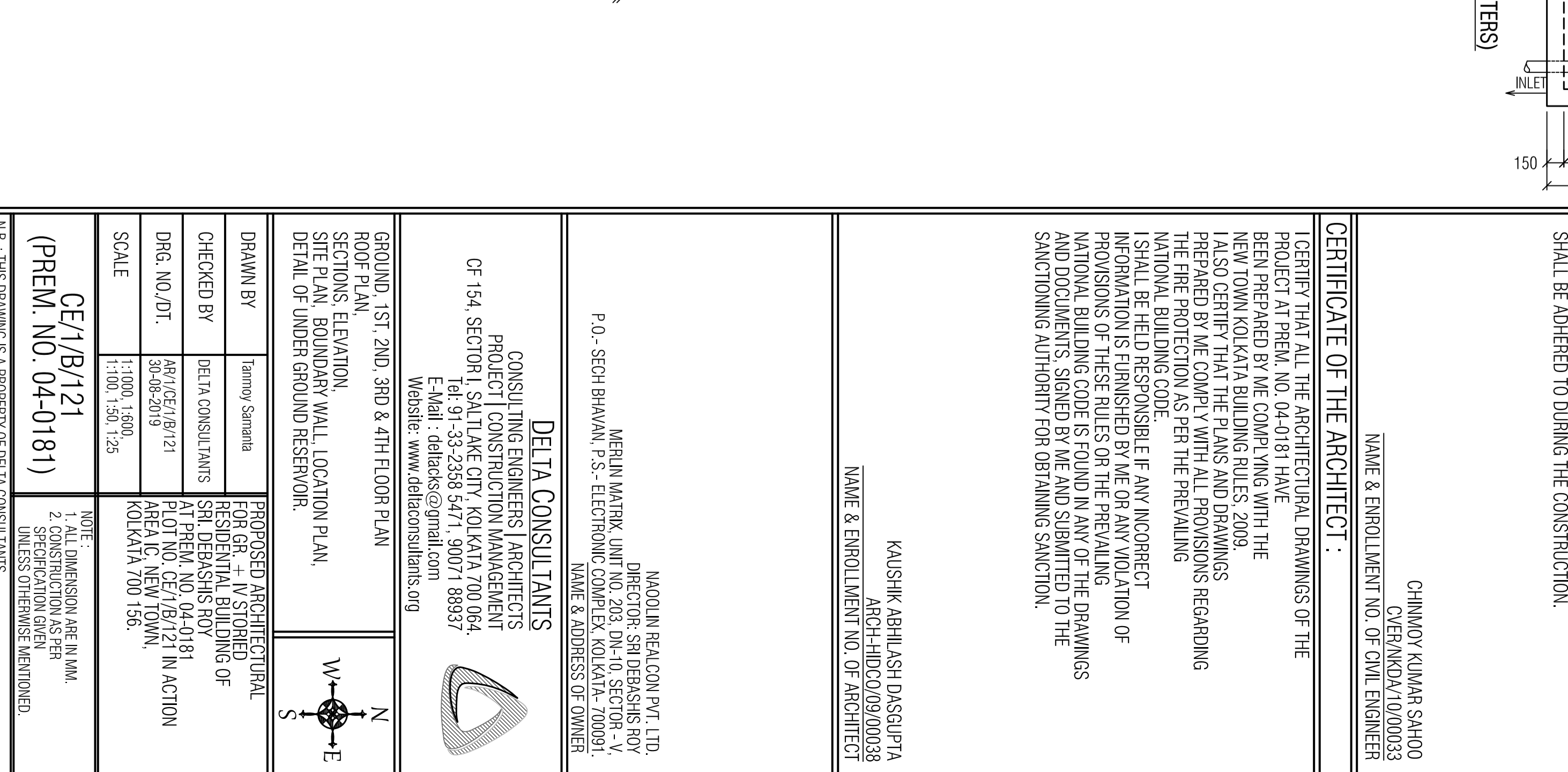
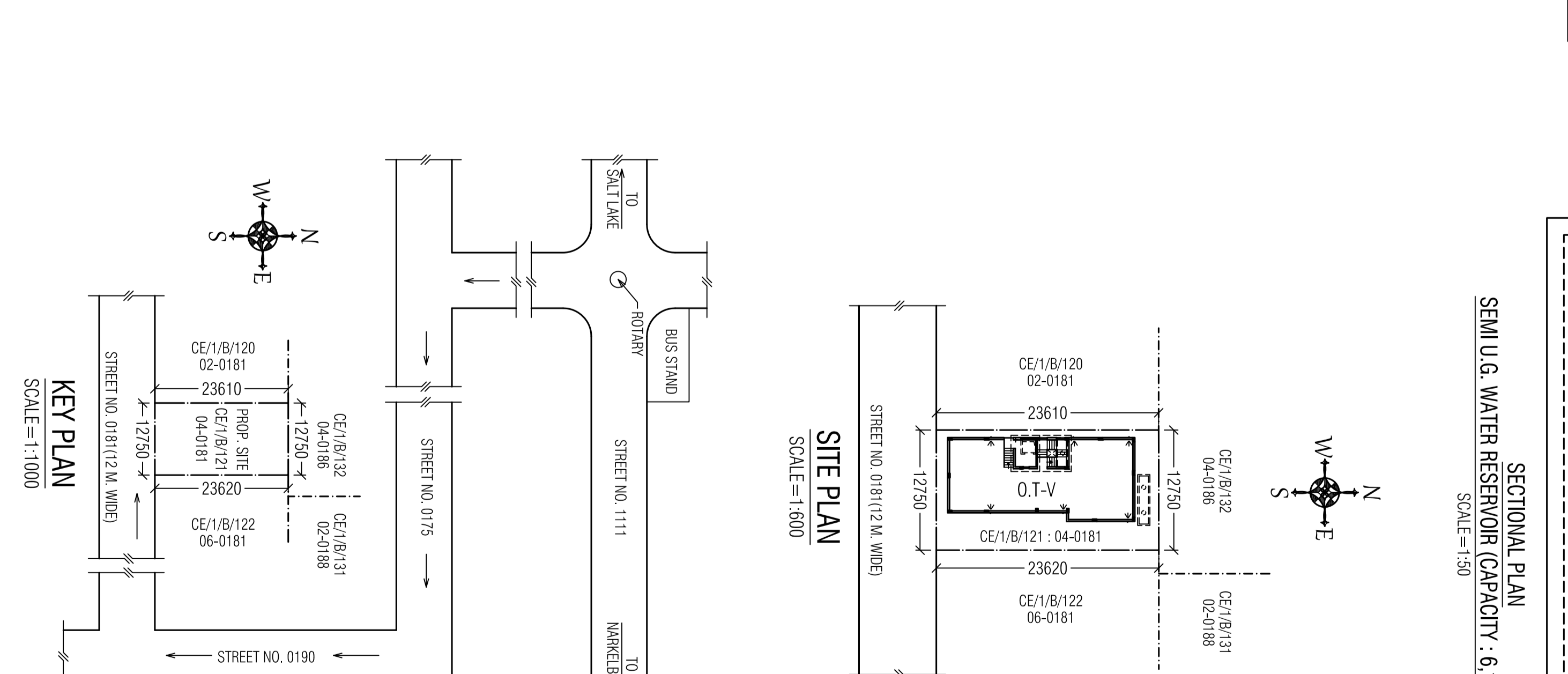
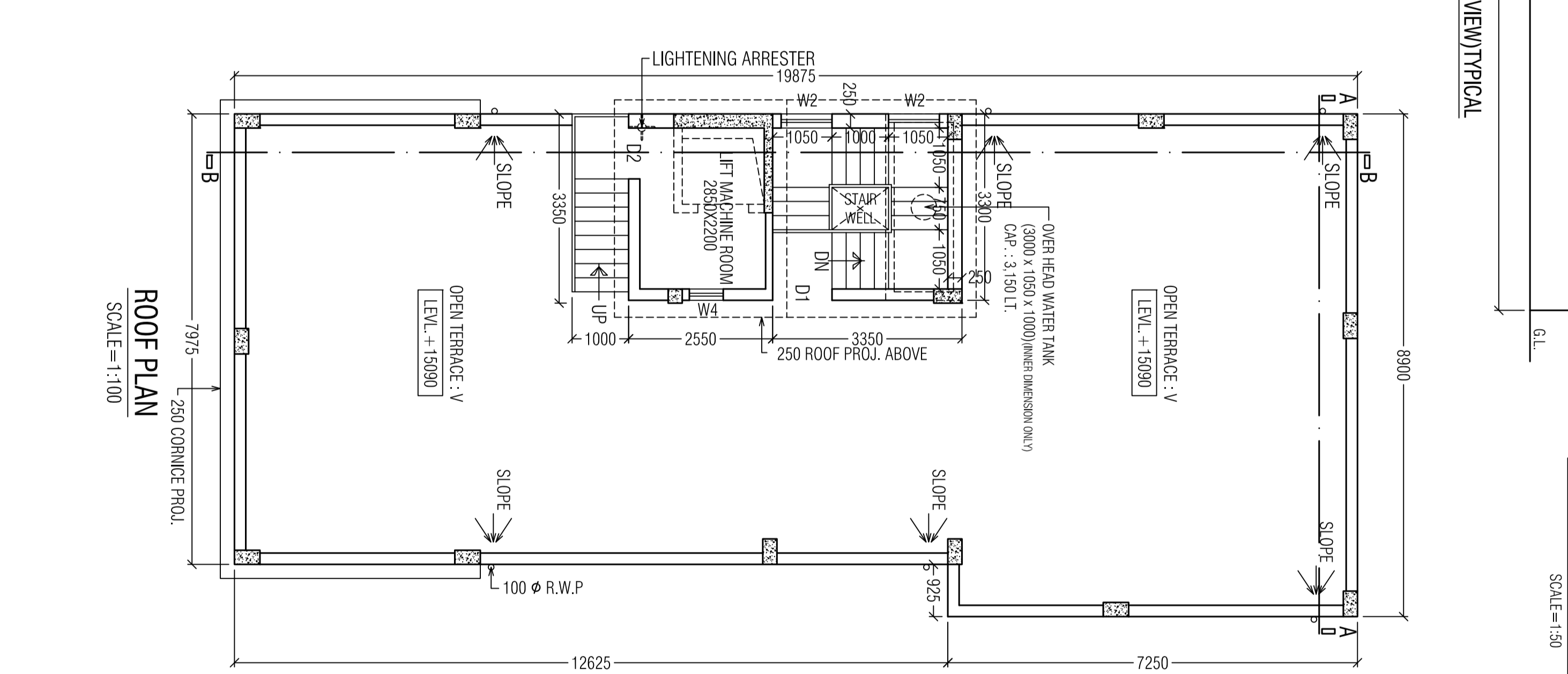
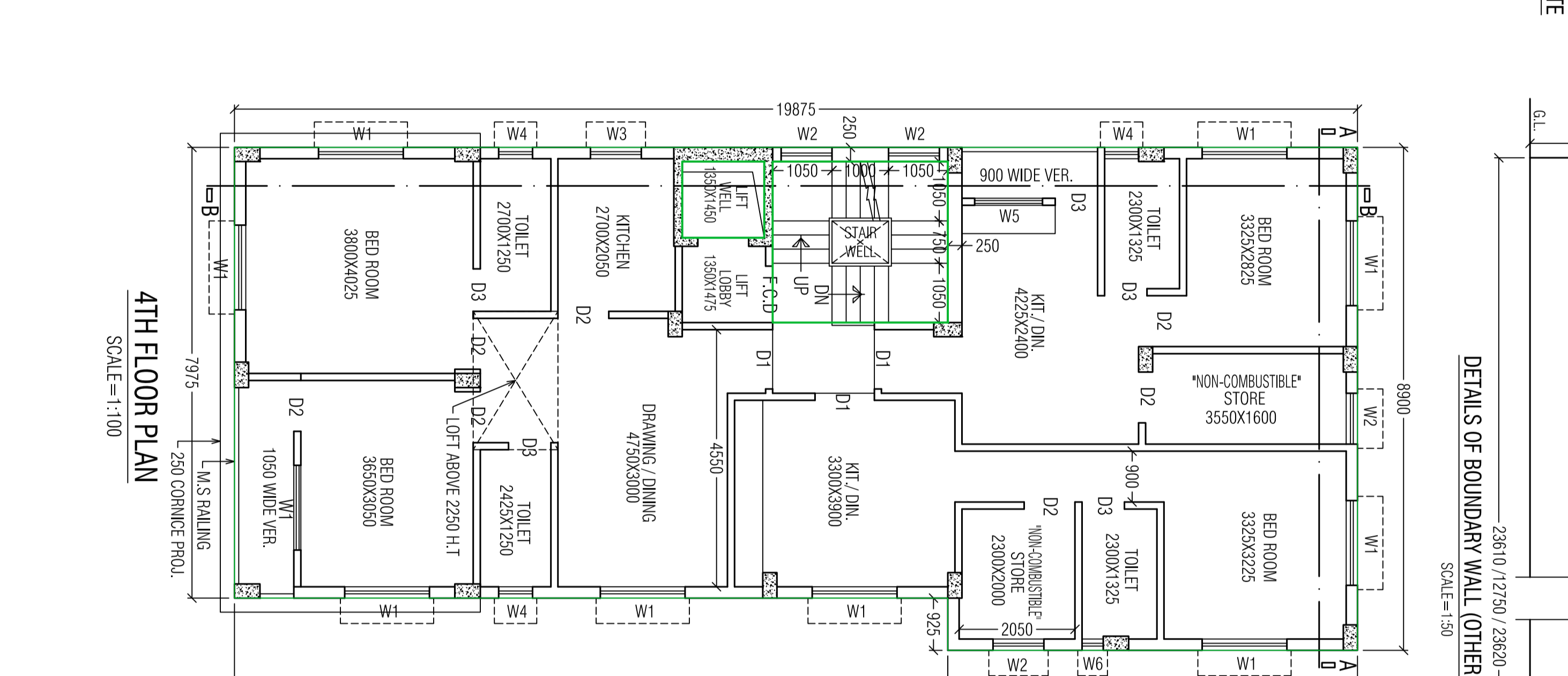
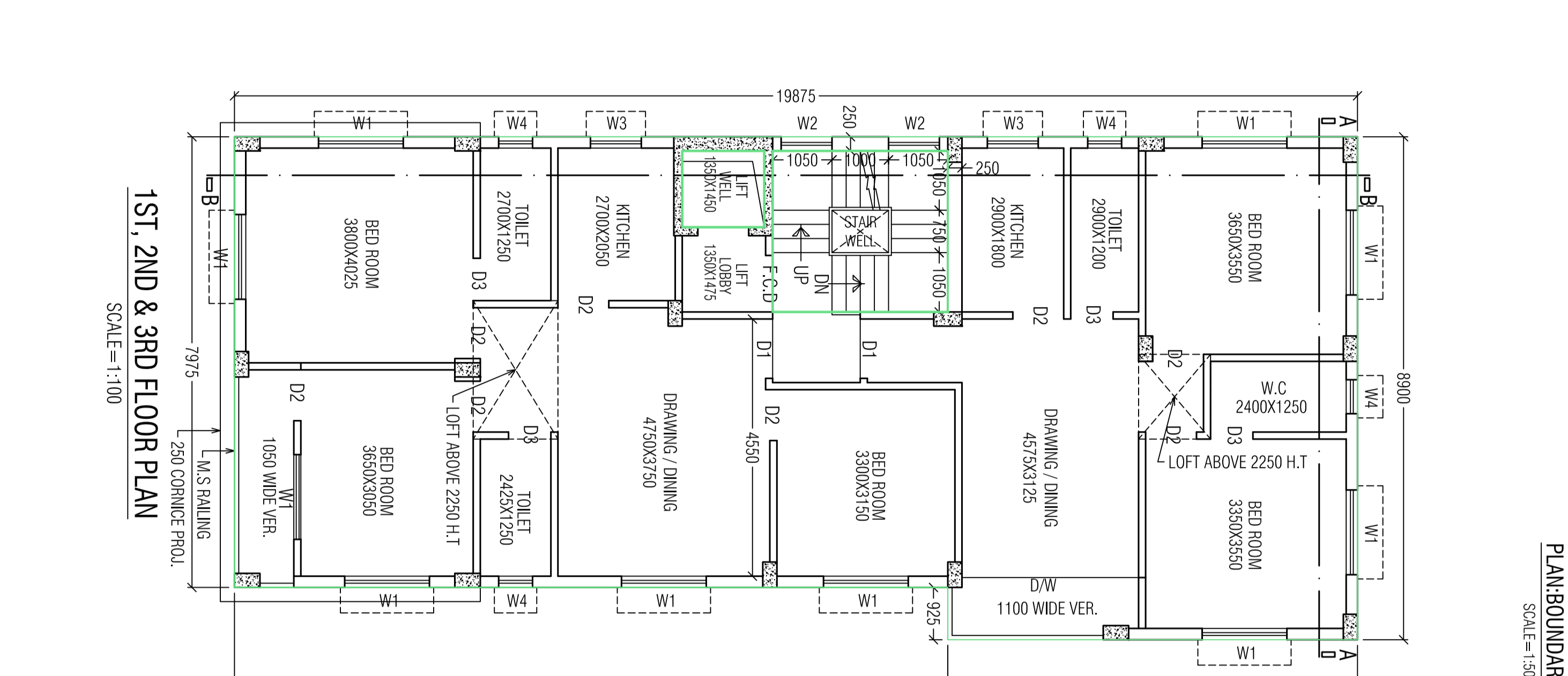
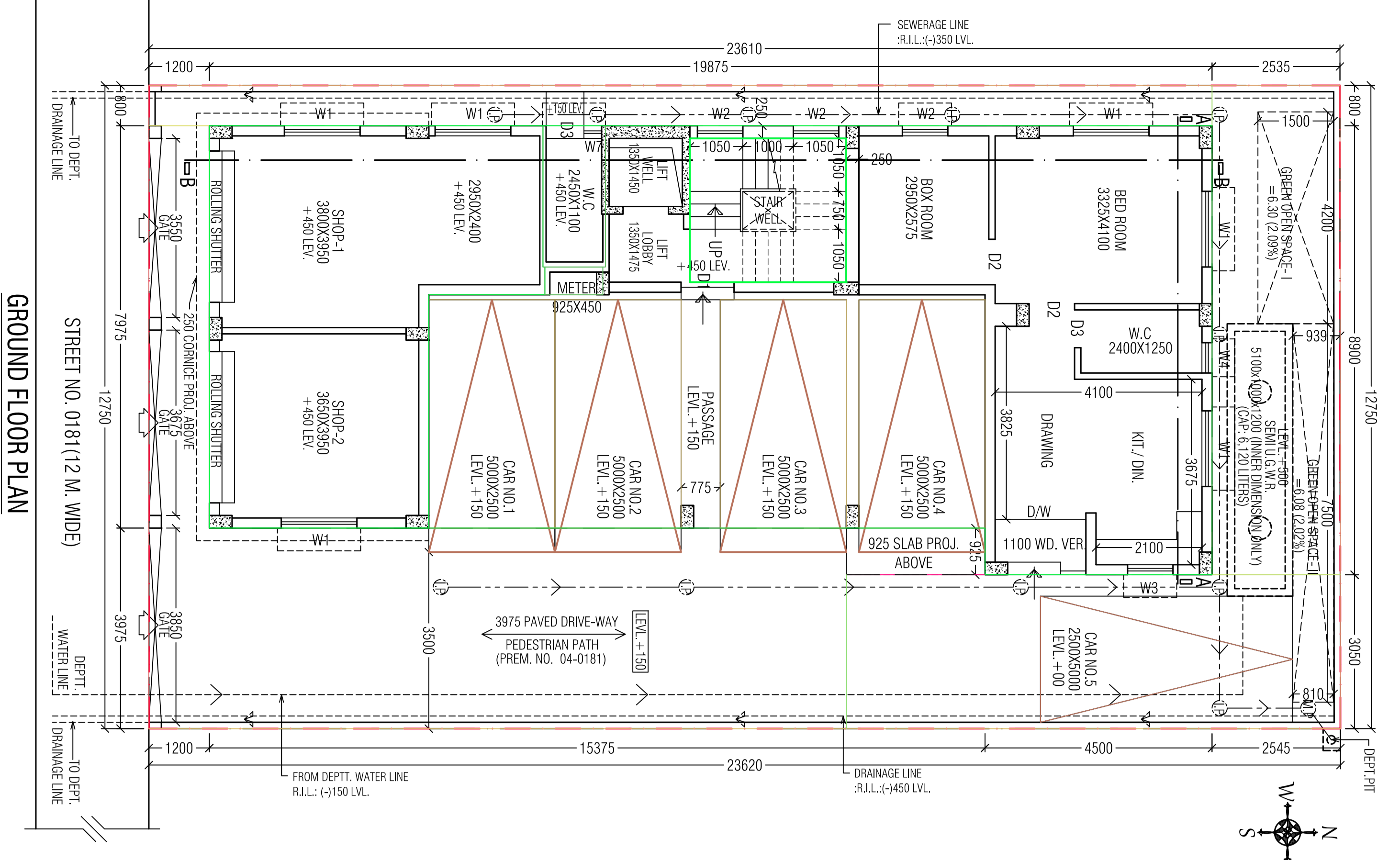


**AREA STATEMENT FOR E.A.R.:**

NO.	DESCRIPTION	AREA (SQ.M)	TOTAL
1	1.FLOOR AREA (AS PER BED MEASUREMENT)	301.09	SQ.M
2	2.FLOOR AREA (AS PER BED MEASUREMENT)	165.24	SQ.M
3	3.FLOOR AREA (AS PER BED MEASUREMENT)	153.81	SQ.M
4	4.FLOOR AREA (AS PER BED MEASUREMENT)	153.81	SQ.M
5	5.FLOOR AREA (AS PER BED MEASUREMENT)	153.81	SQ.M
6	6.FLOOR AREA (AS PER BED MEASUREMENT)	153.81	SQ.M
7	7.FLOOR AREA (AS PER BED MEASUREMENT)	153.81	SQ.M
8	8.FLOOR AREA (AS PER BED MEASUREMENT)	153.81	SQ.M
9	9.FLOOR AREA (AS PER BED MEASUREMENT)	153.81	SQ.M
10	10.FLOOR AREA (AS PER BED MEASUREMENT)	153.81	SQ.M
11	11.FLOOR AREA (AS PER BED MEASUREMENT)	153.81	SQ.M
12	12.FLOOR AREA (AS PER BED MEASUREMENT)	153.81	SQ.M
13	13.FLOOR AREA (AS PER BED MEASUREMENT)	153.81	SQ.M
14	14.FLOOR AREA (AS PER BED MEASUREMENT)	153.81	SQ.M
15	15.FLOOR AREA (AS PER BED MEASUREMENT)	153.81	SQ.M
16	16.FLOOR AREA (AS PER BED MEASUREMENT)	153.81	SQ.M
17	17.FLOOR AREA (AS PER BED MEASUREMENT)	153.81	SQ.M
18	18.FLOOR AREA (AS PER BED MEASUREMENT)	153.81	SQ.M
19	19.FLOOR AREA (AS PER BED MEASUREMENT)	153.81	SQ.M
20	20.FLOOR AREA (AS PER BED MEASUREMENT)	153.81	SQ.M
21	21.FLOOR AREA (AS PER BED MEASUREMENT)	153.81	SQ.M
22	22.FLOOR AREA (AS PER BED MEASUREMENT)	153.81	SQ.M
23	23.FLOOR AREA (AS PER BED MEASUREMENT)	153.81	SQ.M
24	24.FLOOR AREA (AS PER BED MEASUREMENT)	153.81	SQ.M
25	25.FLOOR AREA (AS PER BED MEASUREMENT)	153.81	SQ.M
26	26.FLOOR AREA (AS PER BED MEASUREMENT)	153.81	SQ.M
27	27.FLOOR AREA (AS PER BED MEASUREMENT)	153.81	SQ.M
28	28.FLOOR AREA (AS PER BED MEASUREMENT)	153.81	SQ.M
29	29.FLOOR AREA (AS PER BED MEASUREMENT)	153.81	SQ.M
30	30.FLOOR AREA (AS PER BED MEASUREMENT)	153.81	SQ.M
31	31.FLOOR AREA (AS PER BED MEASUREMENT)	153.81	SQ.M
32	32.FLOOR AREA (AS PER BED MEASUREMENT)	153.81	SQ.M
33	33.FLOOR AREA (AS PER BED MEASUREMENT)	153.81	SQ.M
34	34.FLOOR AREA (AS PER BED MEASUREMENT)	153.81	SQ.M
35	35.FLOOR AREA (AS PER BED MEASUREMENT)	153.81	SQ.M
36	36.FLOOR AREA (AS PER BED MEASUREMENT)	153.81	SQ.M
37	37.FLOOR AREA (AS PER BED MEASUREMENT)	153.81	SQ.M
38	38.FLOOR AREA (AS PER BED MEASUREMENT)	153.81	SQ.M
39	39.FLOOR AREA (AS PER BED MEASUREMENT)	153.81	SQ.M
40	40.FLOOR AREA (AS PER BED MEASUREMENT)	153.81	SQ.M
41	41.FLOOR AREA (AS PER BED MEASUREMENT)	153.81	SQ.M
42	42.FLOOR AREA (AS PER BED MEASUREMENT)	153.81	SQ.M
43	43.FLOOR AREA (AS PER BED MEASUREMENT)	153.81	SQ.M
44	44.FLOOR AREA (AS PER BED MEASUREMENT)	153.81	SQ.M
45	45.FLOOR AREA (AS PER BED MEASUREMENT)	153.81	SQ.M
46	46.FLOOR AREA (AS PER BED MEASUREMENT)	153.81	SQ.M
47	47.FLOOR AREA (AS PER BED MEASUREMENT)	153.81	SQ.M
48	48.FLOOR AREA (AS PER BED MEASUREMENT)	153.81	SQ.M
49	49.FLOOR AREA (AS PER BED MEASUREMENT)	153.81	SQ.M
50	50.FLOOR AREA (AS PER BED MEASUREMENT)	153.81	SQ.M



**LEGEND : NO.1 : ARCHITECTURAL DRAWING.**

1 FOUNDATION	AS PER DRAWING & SPECIFICATION
2 ROOFING	AS PER DRAWING & SPECIFICATION
3 SUPERSTRUCTURE	R.C.C. FRAME STRUCTURE
	SURFACE FINISH (WITH SPECIAL ADHESIVE)
4 PLASTER	EXTERNAL WALL : 15.14 (CEMENT SAND MORTAR)
	INTERNAL WALL : 15.14 (8 MM THK.)
5 DOORS	FRAME/SHUTTER : 15.14 (8 MM THK.)
6 WINDOW	FRAME/SHUTTER : ALUMINIUM AS PER REQUIREMENT
7 ROOF	EXTERNAL SURFACE : CEMENT PAINT
	INTERNAL WALL/CEILING : POP
8 PAINTING	DOOR/WINDOW : SYNTHETIC EMERALD
9 ELECTRICAL	AS PER DRAWING & SPECIFICATION
10 PLUMBING	AS PER DRAWING & SPECIFICATION

**DELTA CONSULTANTS**  
CONSULTING ENGINEERS / ARCHITECTS  
PROJECT / CONSTRUCTION MANAGEMENT  
CF 154, SECTION 14, 91/53/2551/54/1/500/7/88887  
E-MAIL : deltax@rediffmail.com  
WWW : www.deltaconsultants.com

**KAUSHIK ABHIJASH DASPREYIA**  
ARCHITECT/REGISTRATION NO. 000000033  
NAME & EMPLOYMENT NO. OF ARCHITECT

**CHINMOY KUMAR SAHOO**  
CIVIL ENGINEER/REGISTRATION NO. 000000033  
NAME & EMPLOYMENT NO. OF CIVIL ENGINEER

**CE/18/121 (PREM. NO. 04-0181)**

1. ALL DIMENSIONS ARE IN MM.  
2. CONSTRUCTION AS PER INDIAN STANDARDS.  
3. UNLESS OTHERWISE MENTIONED.