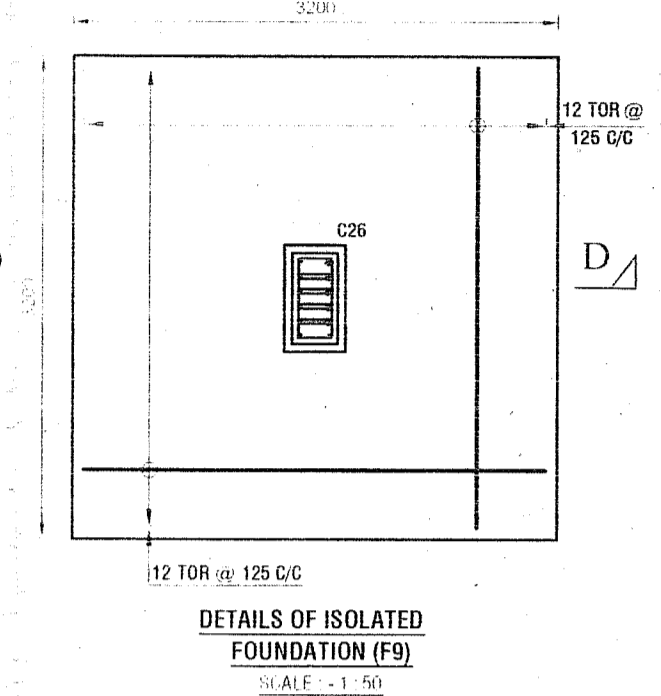
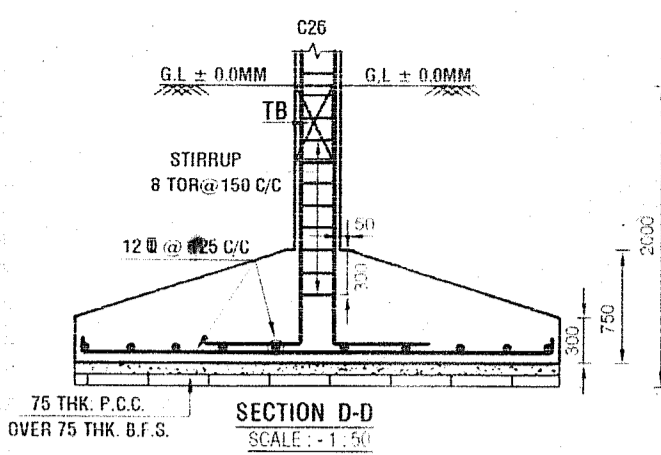


SCHEDULE OF R.C.C. COLUMNS				
COLUMN MKD.	SIZE & REIN. FROM BASE TO 2ND.FL. LVL.	SIZE & REIN. FROM 2ND. FL. LVL. TO 3RD.FL. LVL.	SIZE & REIN. FROM 3RD. FL. LVL. TO ABOVE.FL. LVL.	STIRRUP
C23, C25, C26, C27, C29.	300 X 600 6-16 @ 6-16 @	300 X 600 2-16 @ 4-12 @ 2-16 @	300 X 600 6-12 @ 6-12 @	8 TOR @ 200 C/C
C1, C2, C3, C4, C5, C6, C7, C8, C9, C10, C11, C12, C13, C14, C15, C16, C17, C18, C19, C20, C21, C22, C24, C28, C30.	300 X 500 5-16 @ 5-16 @	300 X 500 2-16 @ 4-12 @ 2-16 @	300 X 500 6-12 @ 6-12 @	8 TOR @ 200 C/C

SCHEDULE OF ISOLATED FOUNDATIONS					
FDN. MKD.	UNDER COLUMN	SIZE OF FDN.	THICKNESS MM.		REIN. BOTHWAYS AT BOTTOM
			AT HEEL	AT TOE	
F9	C26.	3200X3200	750	300	12 TOR @ 125 C/C
F10	C25, C27, C29.	3000X3000	750	300	12 TOR @ 125 C/C
F11	C1, C3.	2700X2700	600	300	12 TOR @ 125 C/C
F12	C2, C11, C18, C28, C30.	2500X2500	600	300	12 TOR @ 125 C/C
F13	C5, C17.	3100X2050	750	300	12 TOR @ 125 C/C



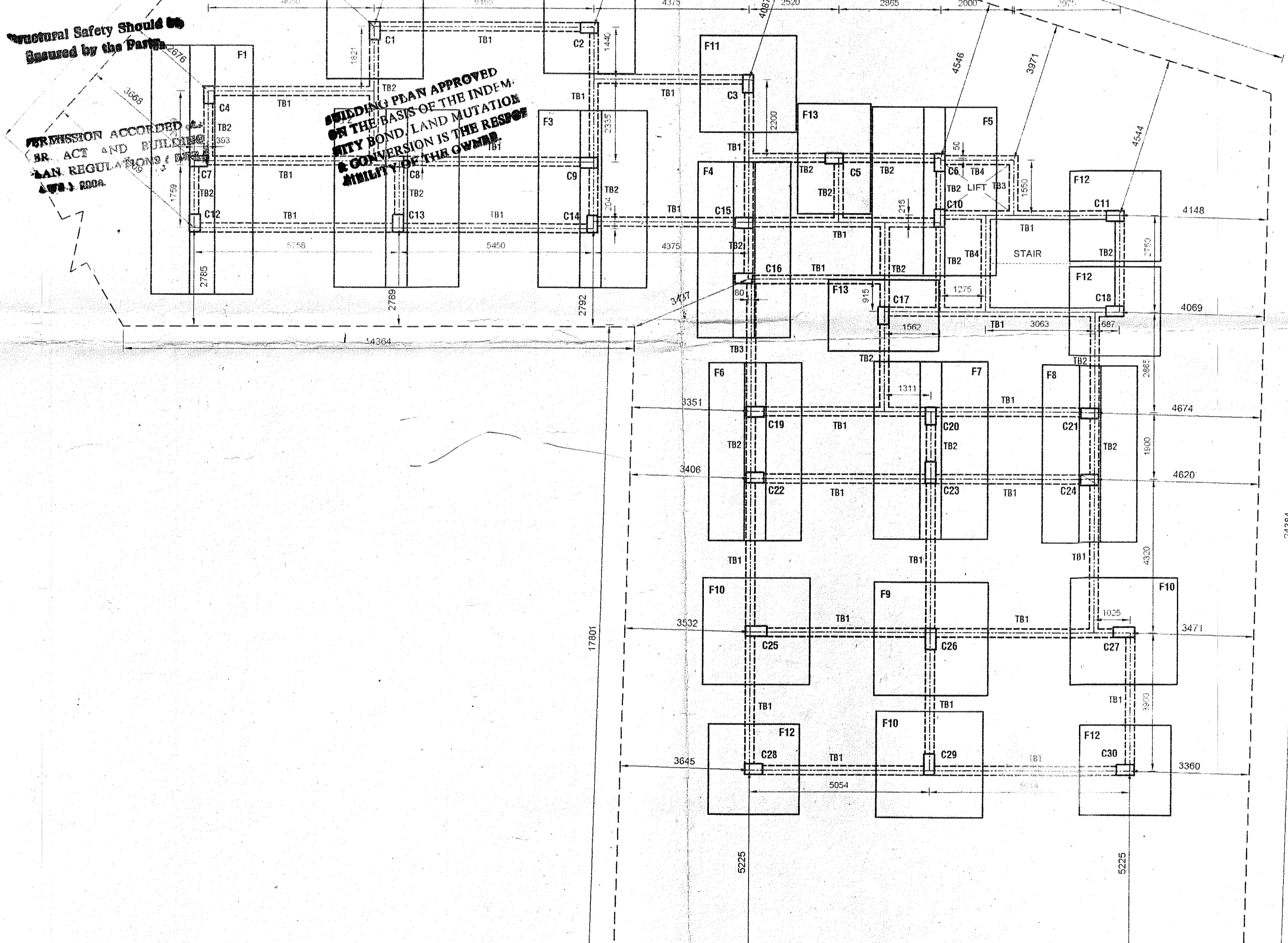
FDN. MKD.	UNDER COLUMN	SIZE OF FDN.	SLAB DIMENSIONS				INVERTED RIB BEAM				FOOTING			
			(a) M	(b) M	(c) M	(d) M	BEAM SIZE	LONG REIN. AT SUPP. SPAN	LONG REIN. AT MID. SPAN	STIRRUP	TRANSVERSE REINFORCEMENT	LONG REINFORCEMENT		
			TOP	BOTTOM	TOP	BOTTOM	TOP	BOTTOM	TOP	BOTTOM				
F1	C4+C7+C12	2850 X 7000	1.285	1.575	1.285	1.575	600 X 700	5-16 @	5-20 @ + 4-20 @	5-16 @	5-20 @	10 @ 4L @ 150 c/c	12 @ 175 c/c	8 @ 200 c/c
F2	C8+C13	3500 X 5000	1.441	1.675	1.441	1.675	750 X 300	5-16 @	5-20 @ + 4-20 @	5-16 @	5-20 @	10 @ 4L @ 150 c/c	12 @ 100 c/c	8 @ 200 c/c
F3	C9+C14	3050 X 5000	1.441	1.675	1.441	1.675	750 X 300	5-16 @	5-20 @ + 4-20 @	5-16 @	5-20 @	10 @ 4L @ 150 c/c	12 @ 125 c/c	8 @ 200 c/c
F4	C15+C16	2600 X 5000	1.705	1.675	1.705	1.675	600 X 300	5-16 @	5-16 @ + 4-16 @	5-16 @	5-16 @	10 @ 4L @ 150 c/c	12 @ 175 c/c	8 @ 200 c/c
F5	C6+C10	3500 X 4750	1.435	1.5	1.435	1.5	750 X 300	5-16 @	5-20 @ + 4-20 @	5-16 @	5-20 @	10 @ 4L @ 150 c/c	12 @ 100 c/c	8 @ 200 c/c
F6	C19+C22	2600 X 5000	1.575	1.725	1.575	1.725	600 X 300	5-16 @	5-16 @ + 4-16 @	5-16 @	5-16 @	10 @ 4L @ 150 c/c	12 @ 175 c/c	8 @ 200 c/c
F7	C20+C23	3200 X 5000	1.425	1.675	1.425	1.675	750 X 300	5-16 @	5-20 @ + 4-20 @	5-16 @	5-20 @	10 @ 4L @ 150 c/c	12 @ 100 c/c	8 @ 200 c/c
F8	C21+C24	2650 X 5000	1.325	1.775	1.325	1.775	600 X 300	5-16 @	5-16 @ + 4-16 @	5-16 @	5-16 @	10 @ 4L @ 150 c/c	12 @ 175 c/c	8 @ 200 c/c

APPROVED **APPROVED**

PLAN No. CB/254/17
RB/CB/18/PB/BU/1
APN... 20.18
20.08.2018
Date... 20.08.2018

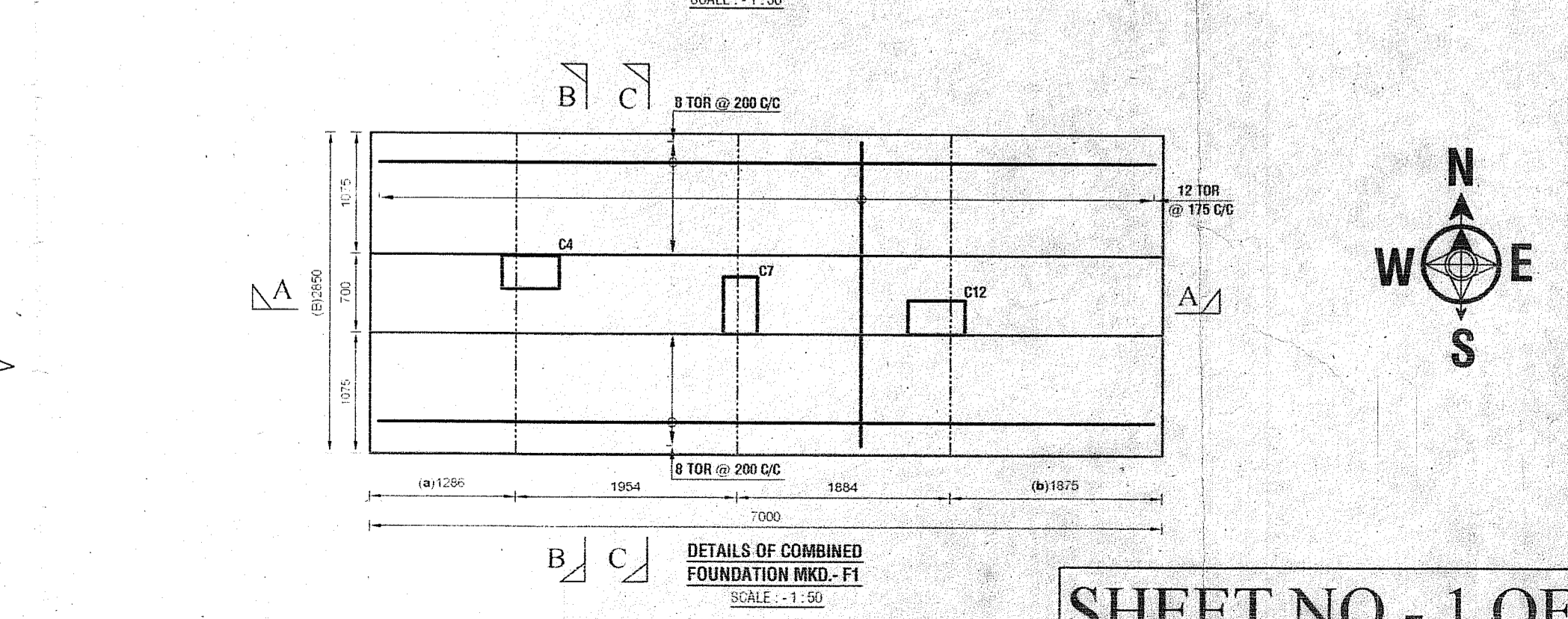
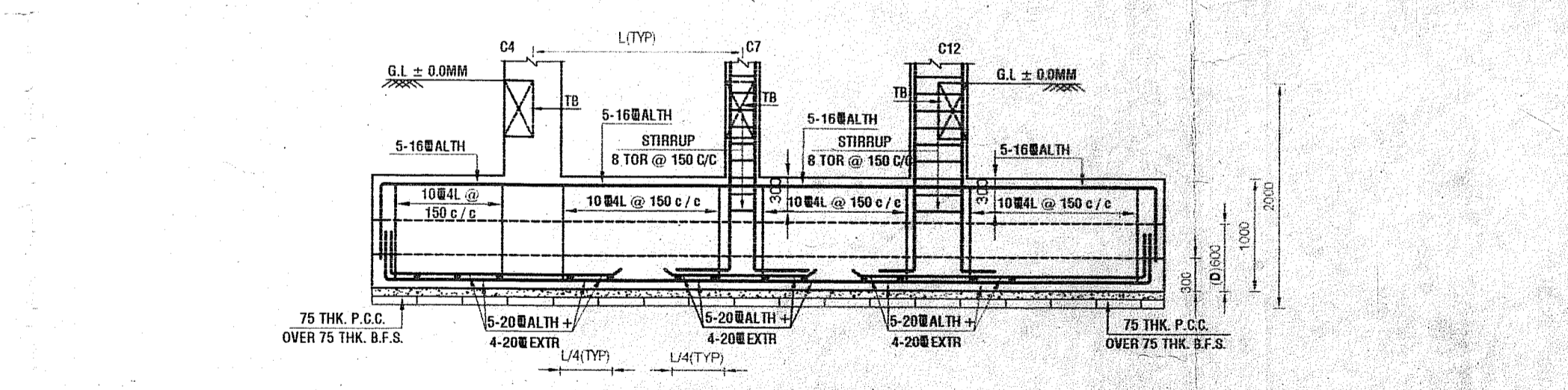
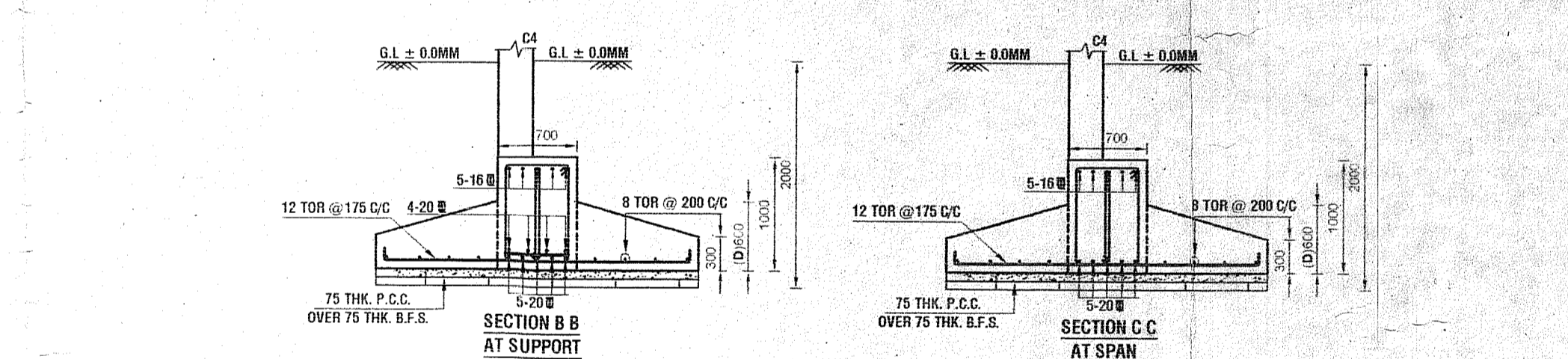
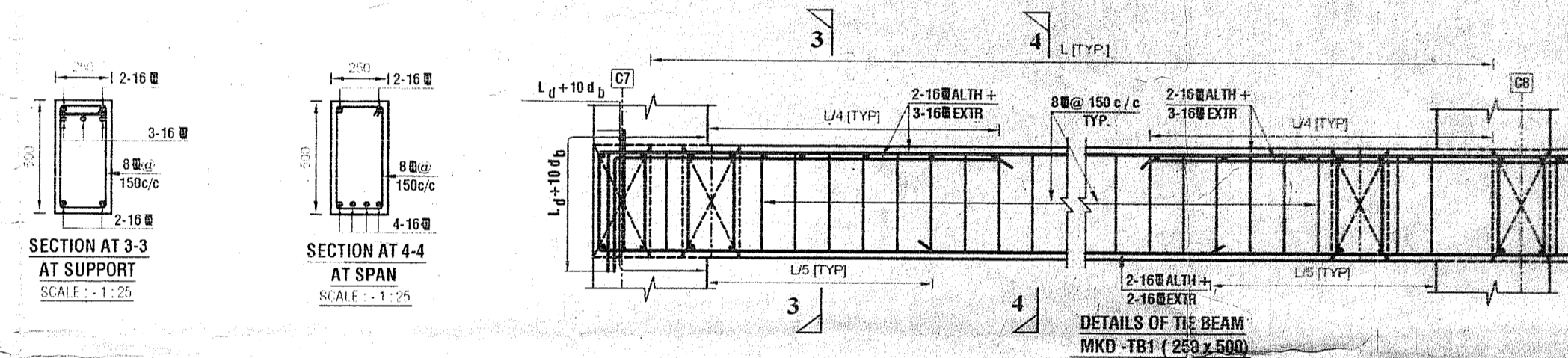
Commissioner
Durgapur Municipal Corporation

Mohan Lal Majee,
Planner in-Charge, Building Plan,
Durgapur Municipal Corporation



6100 (20'-0") WIDE ROAD

FOUNDATION, COLUMN & TIE BEAM LAYOUT PLAN.
SCALE: 1:100



- SPECIFICATIONS**
- DEPTH OF FOUNDATION IS AT 1.65 M. BELOW EXISTING G.L.
 - SAFE BEARING CAPACITY OF SOIL IS AS PER SOIL TEST REPORT
 - GRADE OF CONCRETE IS M-20 AND GRADE OF STEEL IS Fe-500.
 - CLEAR COVER TO MAIN REINFORCEMENT IS AS PER BELOW:
 - a) FOUNDATION - 75 MM
 - b) COLUMN - 40 MM
 - c) BEAM - 25 MM
 - d) SLAB - 15 MM
 - ALL SLABS MUST BE MONOLITHIC WITH SUPPORT IN BEAM
 - ALL OTHER SPECIFICATIONS AS PER NATIONAL BUILDING CODE OF INDIA

THE STRUCTURAL DESIGN & DRAWING OF BOTH FOUNDATION AND SUPERSTRUCTURE OF THE BUILDING HAS BEEN MADE BY ME CONSIDERING ALL POSSIBLE LOADS INCLUDING THE SEISMIC LOAD AS PER N.B.C. OF INDIA & CERTIFIED THAT IT IS SAFE & STABLE IN ALL RESPECT.

Bahar
02/02/18
TUSHAR BARAN PAHARI
M.E. STRUCTURAL ENG.
P.E. NO. - 1948
CHARTERED ENGINEER
P-45C ARCADIA EXTENSION, BEHALA,
KOLKATA-700 034, WB - 700010 INDIA
SIG. OF STRUCTURAL ENGINEER

Jai Chatterjee
02/02/18
SIGNATURE OF L.B. ARCHITECT

Srinjoy Banerjee
02.02.18
Anirban Chatterjee
02.02.18
SIGNATURE OF OWNER

STRUCTURAL DRAWING OF A PROPOSED FOUR (G+3) STORED RESIDENTIAL APARTMENT OF DA MAISON, PARTNERS OF DA MAISON ARE SRI INDRAJIT BANERJEE & SRI ANIRBAN CHATTERJEE, OVER R.S. PLOT NO - 962, 963, L.R. PLOT NO. - 3527, 3528 & 3529, KHATIAN NO. - NO - 6579, I.L. NO - 107, OF MOZA - FULHORE, P.S. - NEW TOWNSHIP, DIST. - BURDWAN UNDER D.M.C., HOLDING NO. - N/17 CIRCLE/WARD - C/25 STREET - BIDHAN PARK (SEC-2, STR-1), DGP - 713206, ID NO - 0071417

CREATIVE STATICAL CONCERN
CIVIL ENGG. CONSULTANT & CONTRACTOR
P-45C ARCADIA EXTENSION, BEHALA,
KOLKATA-700 034, WB - 700010 INDIA
CSCECCSR090011 DATE: 02/02/18