

**SCHEDULE OF FLOOR AND ROOF SLAB**

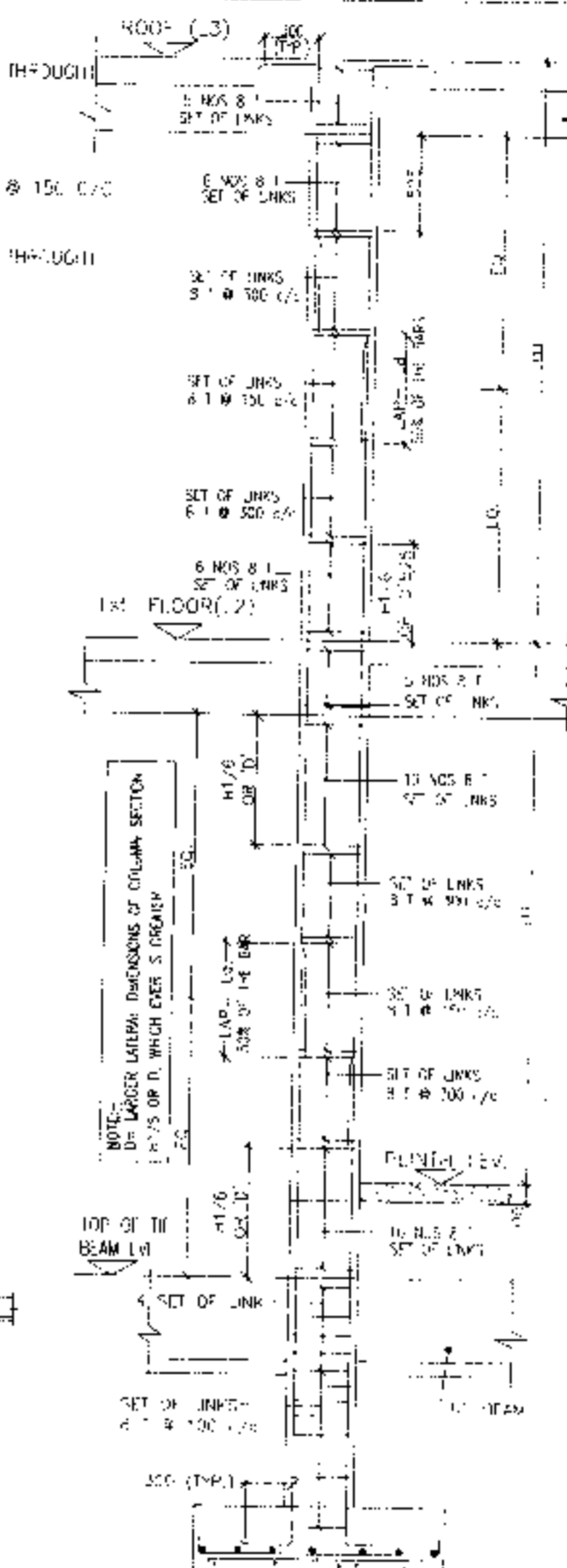
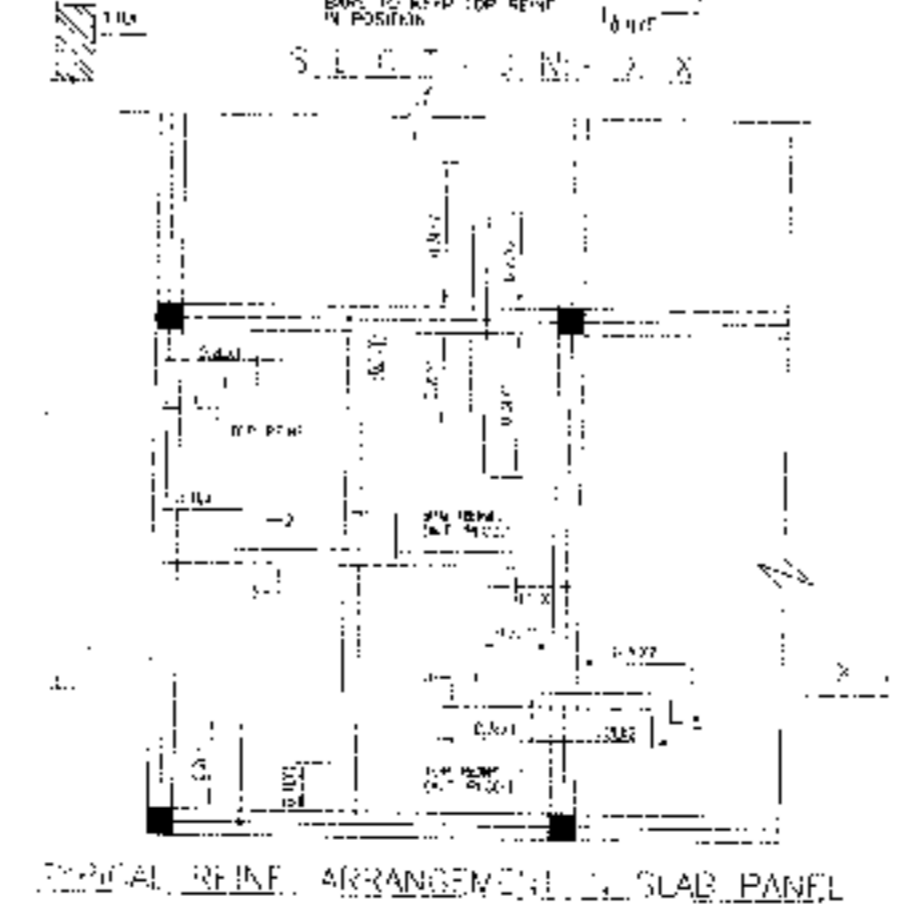
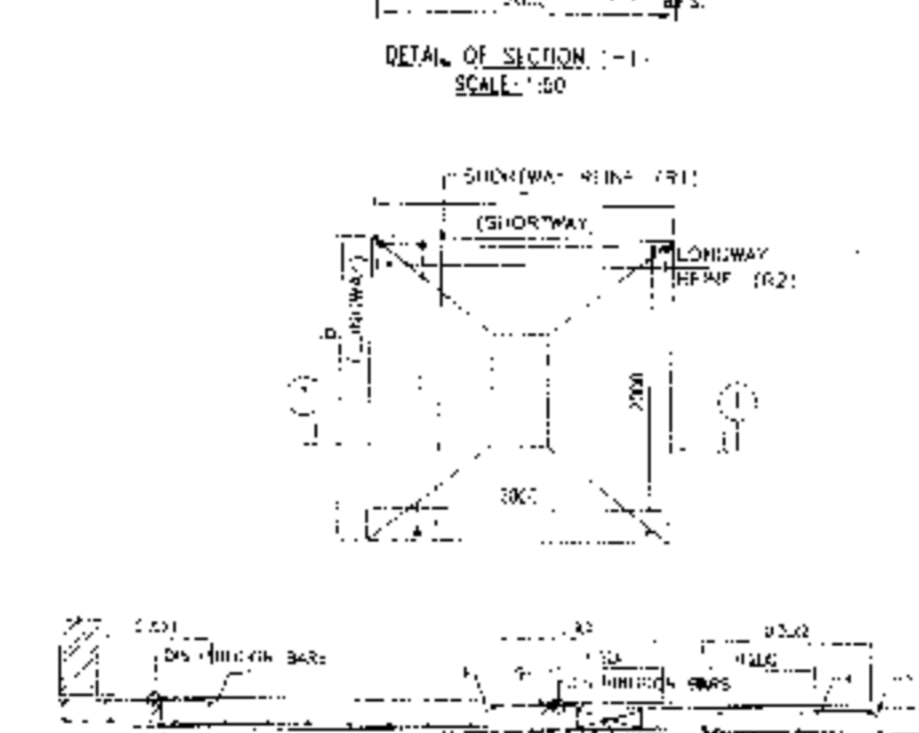
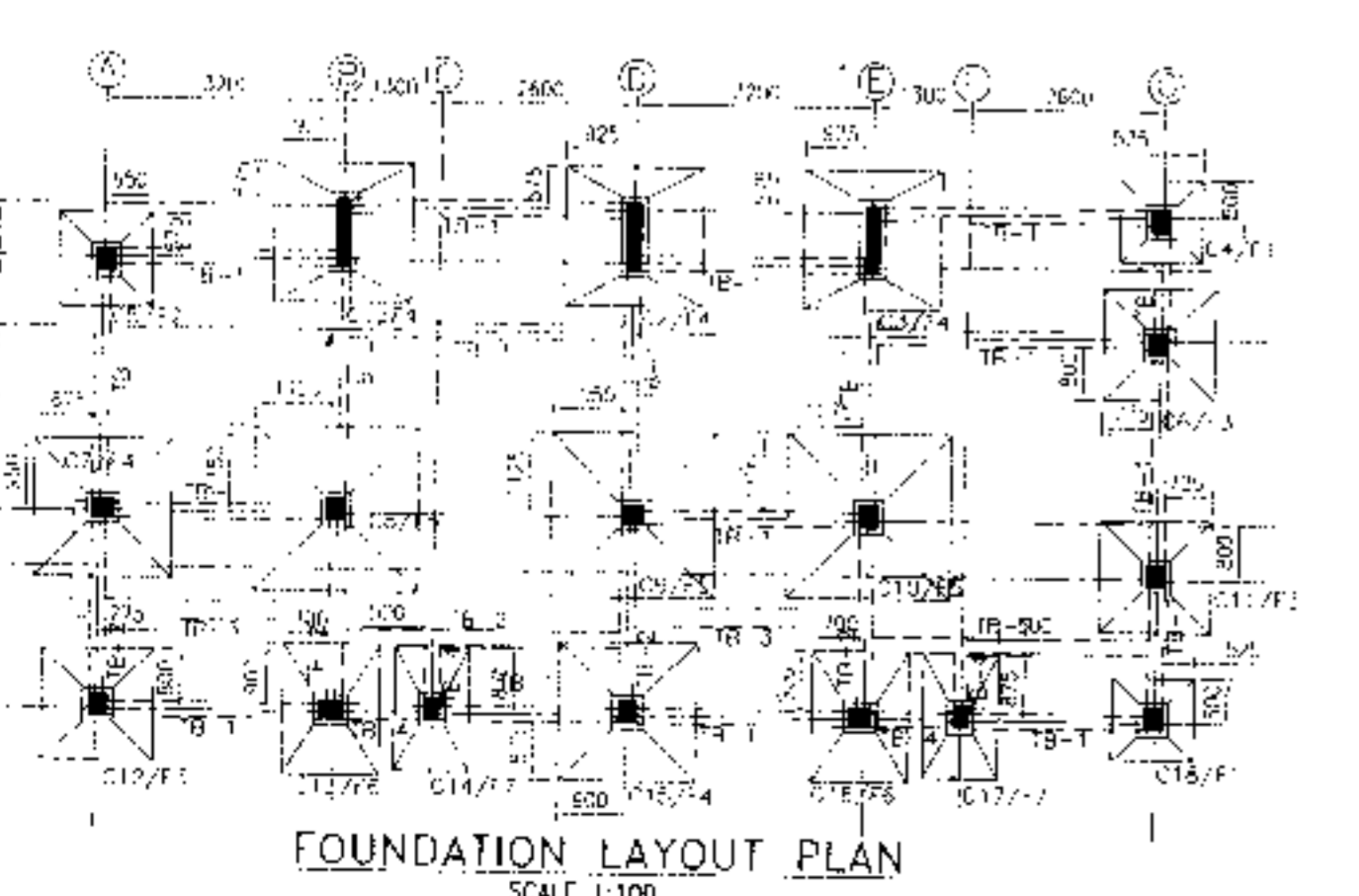
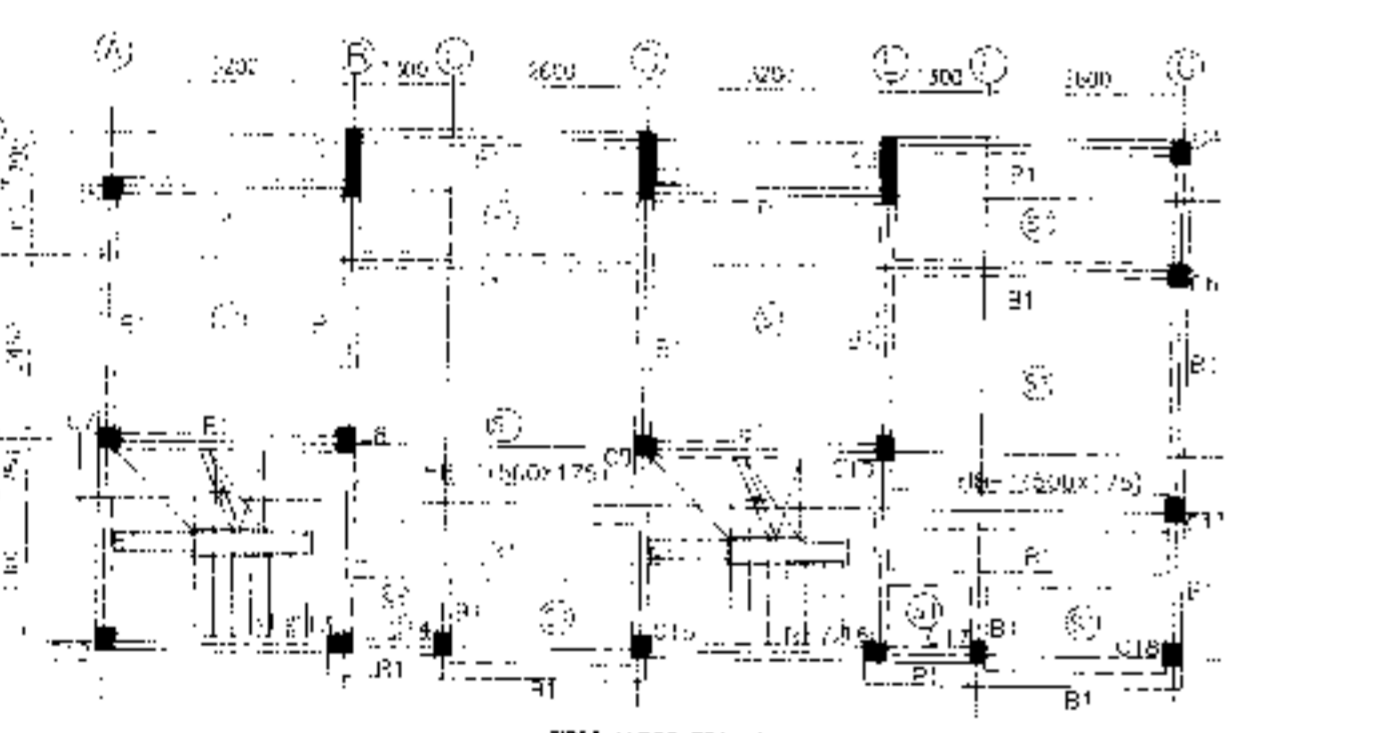
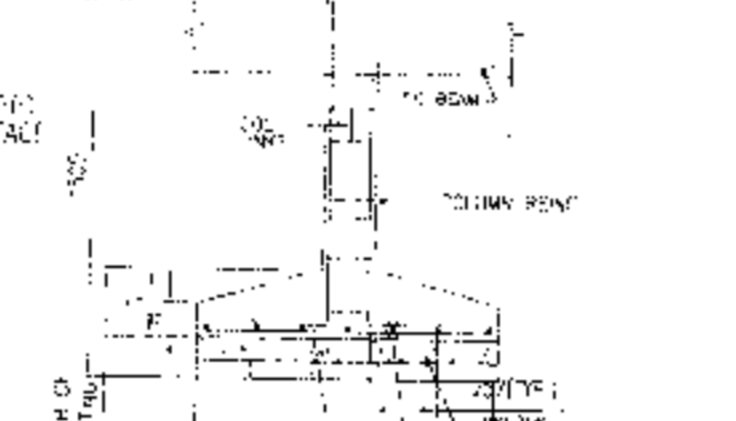
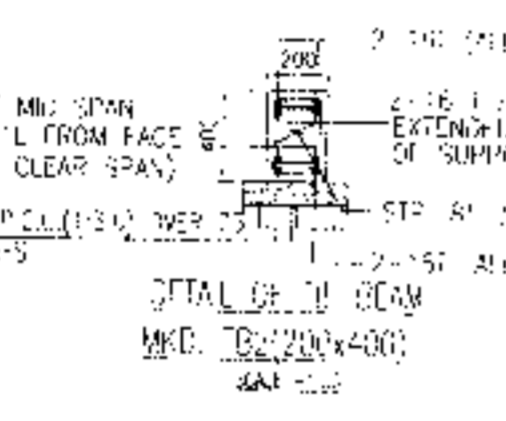
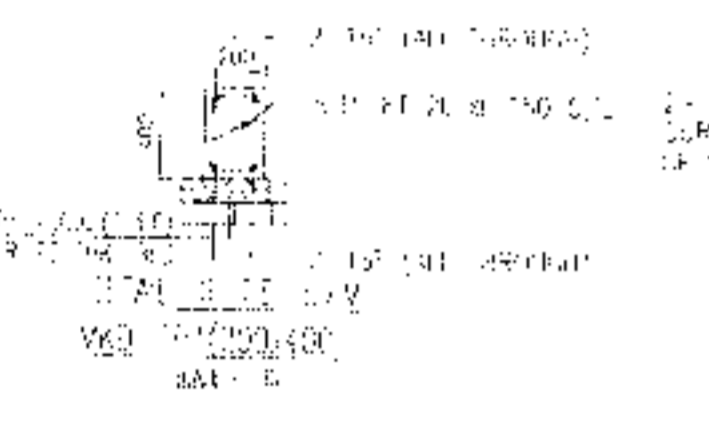
Slab No.	Span	Reinforcement	Thickness
1	1500x1500	150	150
2	1250x1750	200	150
3	1500x1500	200	150
4	1500x1500	200	150
5	1250x1750	200	150
6	1500x1500	200	150
7	1500x1500	200	150

**SCHEDULE OF FOOTING**

Footings	Footings Size	Foundation Depth	Reinforcement
F1	1500x1500	150	150
F2	1250x1750	200	150
F3	1500x1500	200	150
F4	1500x1500	200	150
F5	1250x1750	200	150
F6	1500x1500	200	150
F7	1500x1500	200	150

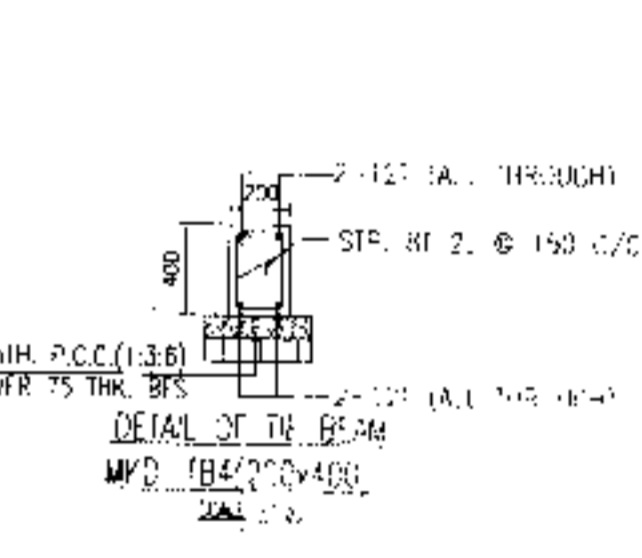
**BEAM SCHEDULE**

Beam No.	Beam Size	Reinforcement	Support
B1	150x250	150	Support
B2	150x250	150	Support
B3	150x250	150	Support
B4	150x250	150	Support
B5	150x250	150	Support
B6	150x250	150	Support
B7	150x250	150	Support
B8	150x250	150	Support
B9	150x250	150	Support
B10	150x250	150	Support
B11	150x250	150	Support
B12	150x250	150	Support
B13	150x250	150	Support
B14	150x250	150	Support
B15	150x250	150	Support
B16	150x250	150	Support
B17	150x250	150	Support
B18	150x250	150	Support
B19	150x250	150	Support
B20	150x250	150	Support
B21	150x250	150	Support
B22	150x250	150	Support
B23	150x250	150	Support
B24	150x250	150	Support
B25	150x250	150	Support
B26	150x250	150	Support
B27	150x250	150	Support
B28	150x250	150	Support
B29	150x250	150	Support
B30	150x250	150	Support
B31	150x250	150	Support
B32	150x250	150	Support
B33	150x250	150	Support
B34	150x250	150	Support
B35	150x250	150	Support
B36	150x250	150	Support
B37	150x250	150	Support
B38	150x250	150	Support
B39	150x250	150	Support
B40	150x250	150	Support
B41	150x250	150	Support
B42	150x250	150	Support
B43	150x250	150	Support
B44	150x250	150	Support
B45	150x250	150	Support
B46	150x250	150	Support
B47	150x250	150	Support
B48	150x250	150	Support
B49	150x250	150	Support
B50	150x250	150	Support
B51	150x250	150	Support
B52	150x250	150	Support
B53	150x250	150	Support
B54	150x250	150	Support
B55	150x250	150	Support
B56	150x250	150	Support
B57	150x250	150	Support
B58	150x250	150	Support
B59	150x250	150	Support
B60	150x250	150	Support
B61	150x250	150	Support
B62	150x250	150	Support
B63	150x250	150	Support
B64	150x250	150	Support
B65	150x250	150	Support
B66	150x250	150	Support
B67	150x250	150	Support
B68	150x250	150	Support
B69	150x250	150	Support
B70	150x250	150	Support
B71	150x250	150	Support
B72	150x250	150	Support
B73	150x250	150	Support
B74	150x250	150	Support
B75	150x250	150	Support
B76	150x250	150	Support
B77	150x250	150	Support
B78	150x250	150	Support
B79	150x250	150	Support
B80	150x250	150	Support
B81	150x250	150	Support
B82	150x250	150	Support
B83	150x250	150	Support
B84	150x250	150	Support
B85	150x250	150	Support
B86	150x250	150	Support
B87	150x250	150	Support
B88	150x250	150	Support
B89	150x250	150	Support
B90	150x250	150	Support
B91	150x250	150	Support
B92	150x250	150	Support
B93	150x250	150	Support
B94	150x250	150	Support
B95	150x250	150	Support
B96	150x250	150	Support
B97	150x250	150	Support
B98	150x250	150	Support
B99	150x250	150	Support
B100	150x250	150	Support



- NOTES AND SPECIFICATION**
1. ALL DIMENSIONS ARE IN MM UNLESS OTHERWISE MENTIONED.
  2. ANY AMBIGUITY IN THE DRAWINGS SHOULD BE IMMEDIATELY REPORTED TO THE ARCHITECT BEFORE COMMENCING WORK.
  3. SUPER STRUCTURE: SUPER STRUCTURE SHALL BE OF 15 CLASS BRICK IN 1:3 CEMENT MORTAR.
  4. THIS DRAWING IS TO BE READ ALONG WITH ALL RELEVANT ARCHITECTURAL DRAWINGS.
  5. ALL GRADE OF CONCRETE, WITH UNITS, & UNLESS MENTIONED.
  6. ALL MATERIALS SHALL CONFORM TO R.C.D.M.V. IS CODES.
  7. FLOOR STEEL GRADE Fe 300 AS PER IS 1786-2007.
  8. ALL DISTRIBUTION BARS ARE 8# @ 250 C/C AND 12# BE PROVIDED.
  9. ALL CHAIRS ARE 10# AND TO BE PROVIDED WHEREVER REQUIRED.
  10. ALL SPACER BARS ARE 25# @ 300 C/C AND TO BE PROVIDED.
  11. LAPS, SPLICES & BOND LENGTH SHOULD BE TO C WHEN 'L' IS 3X OF BAR.
  12. FOUNDATION & PLUMB - BRICKWORK IN FOUNDATION & PLUMB SHALL BE OF 15 CLASS BRICK IN 1:3 CEMENT MORTAR.
  13. MINIMUM CLEAR COVER TO MAIN REINFORCEMENT IS AS FOLLOWS:
 

MEMBER	TOP	BOTTOM	SIDE
FOUNDATION	50	50	50
COLUMN	40	40	40
FLOOR BEAM	20	20	20
TIE BEAM	20	20	20
FLOOR SLAB	20	20	20
  14. SPECIFIC GRAVITY OF THE PORTLAND CEMENT SHALL BE MAINTAINED AT 1 TO 1.2 BEFORE CASTING OF CONCRETE.



PROPOSED TWO STORED BUILDING ON AT P-4  
DAG NO. 385(P-186)(P-187) MUKIZI  
NOWABAD, J.L. NO. 19, UNDER P.S. BISHNUPUR  
P.O. RASAPUNJA, DIST. SOUTH 24 PARGANAS  
UNDER RASAPUNJA GRAMPANCHAYAT

**RISAV GUPTA**  
ARCHITECT (B Arch.)  
Reg. No.-CA/2017-83723

**Shty Niketan Pvt. Ltd.**  
Director

DATE	BY	FOR
20/02/17	[Signature]	APPROVED
	[Signature]	DESIGNED
	[Signature]	CHECKED
	[Signature]	DRAWN
	[Signature]	SCALE

**APPROVAL**

[Signature]  
Approved

(KARTICK NASKAR)  
Pranic  
20/02/17  
Rasapunja Gram Panchayat  
Thakurpukur-Maheshala Block  
South 24 Parganas