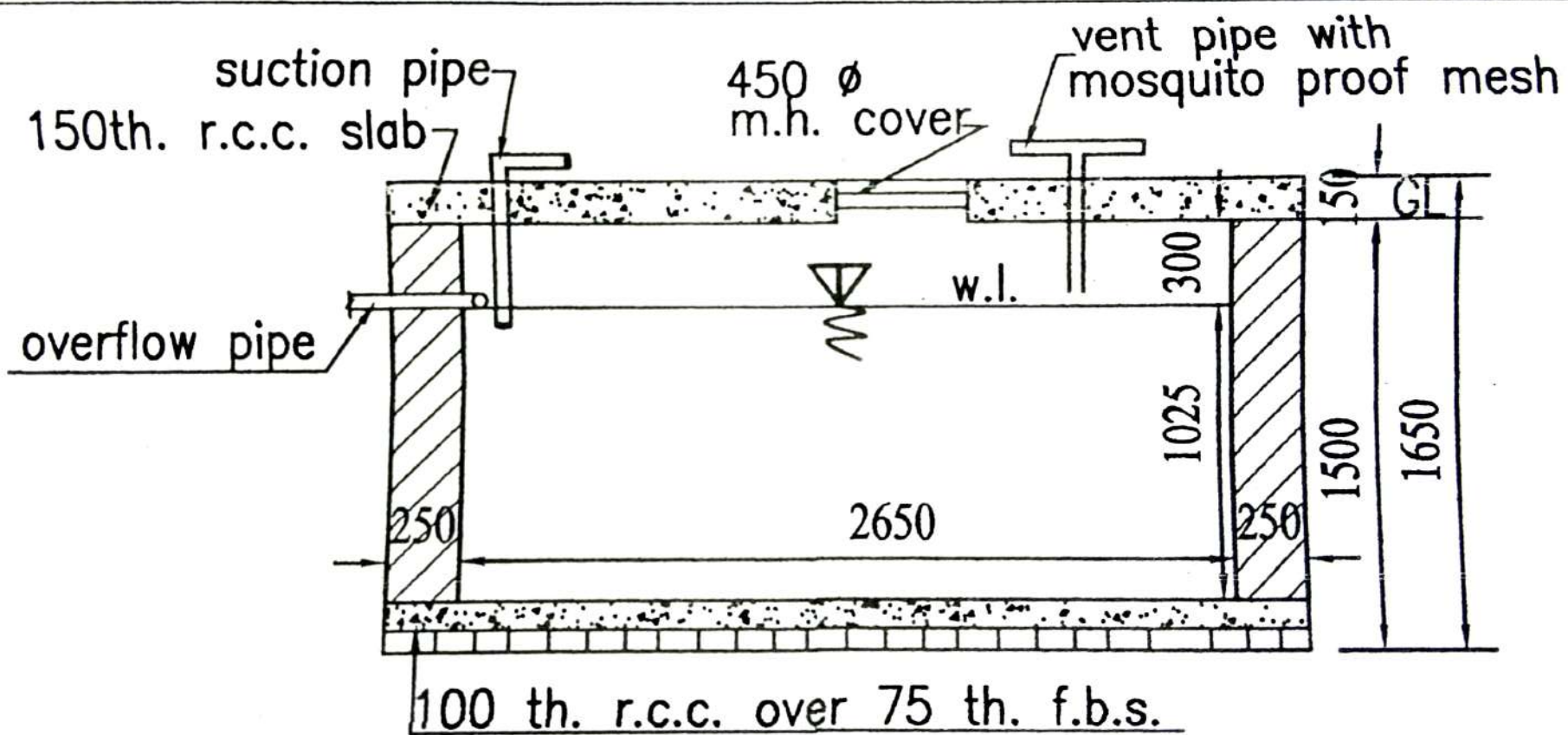


PLAN OF S.U.G.W.R. (CAPACITY 900 GALLS.)

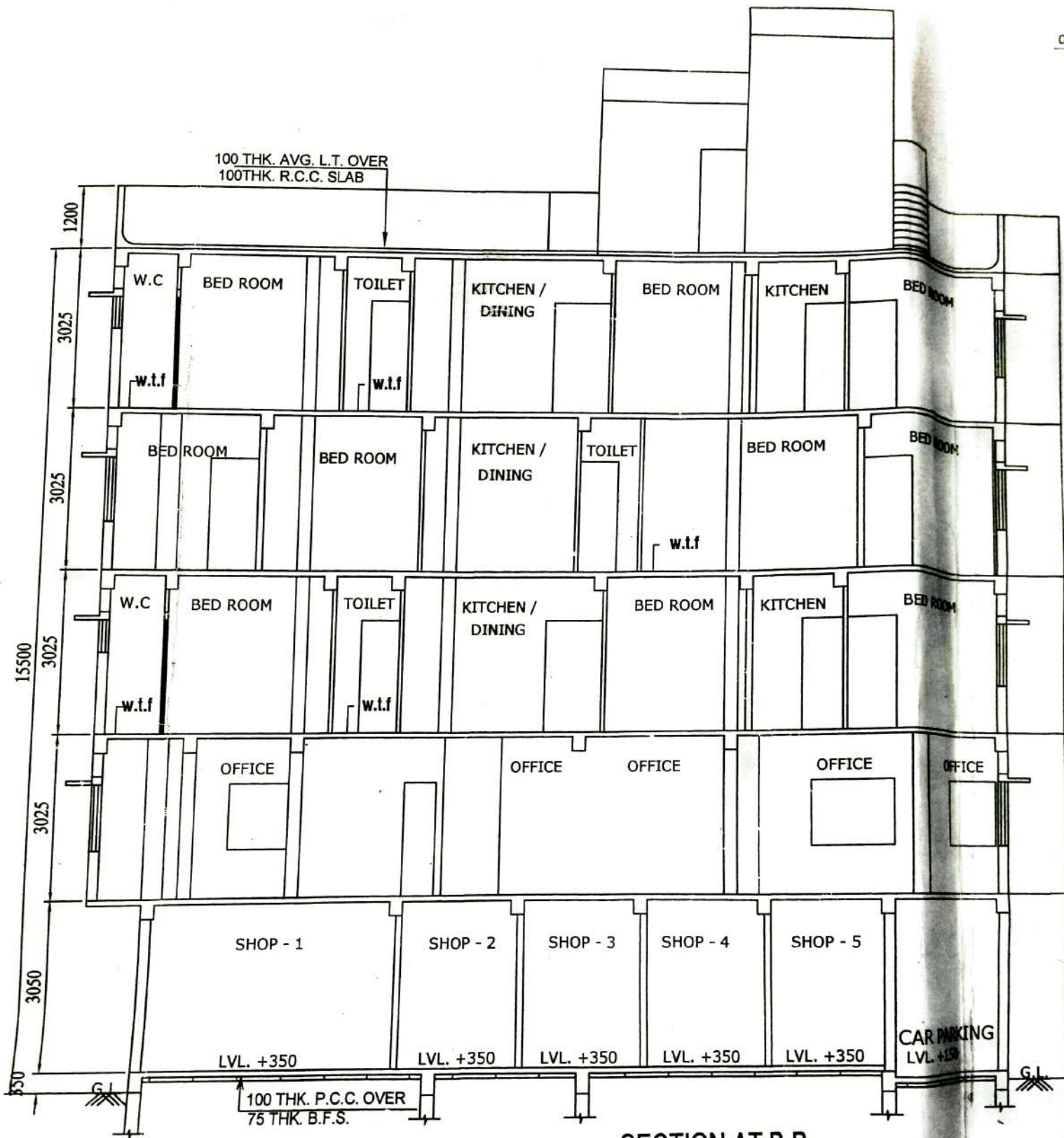
SCALE :- 1 : 50





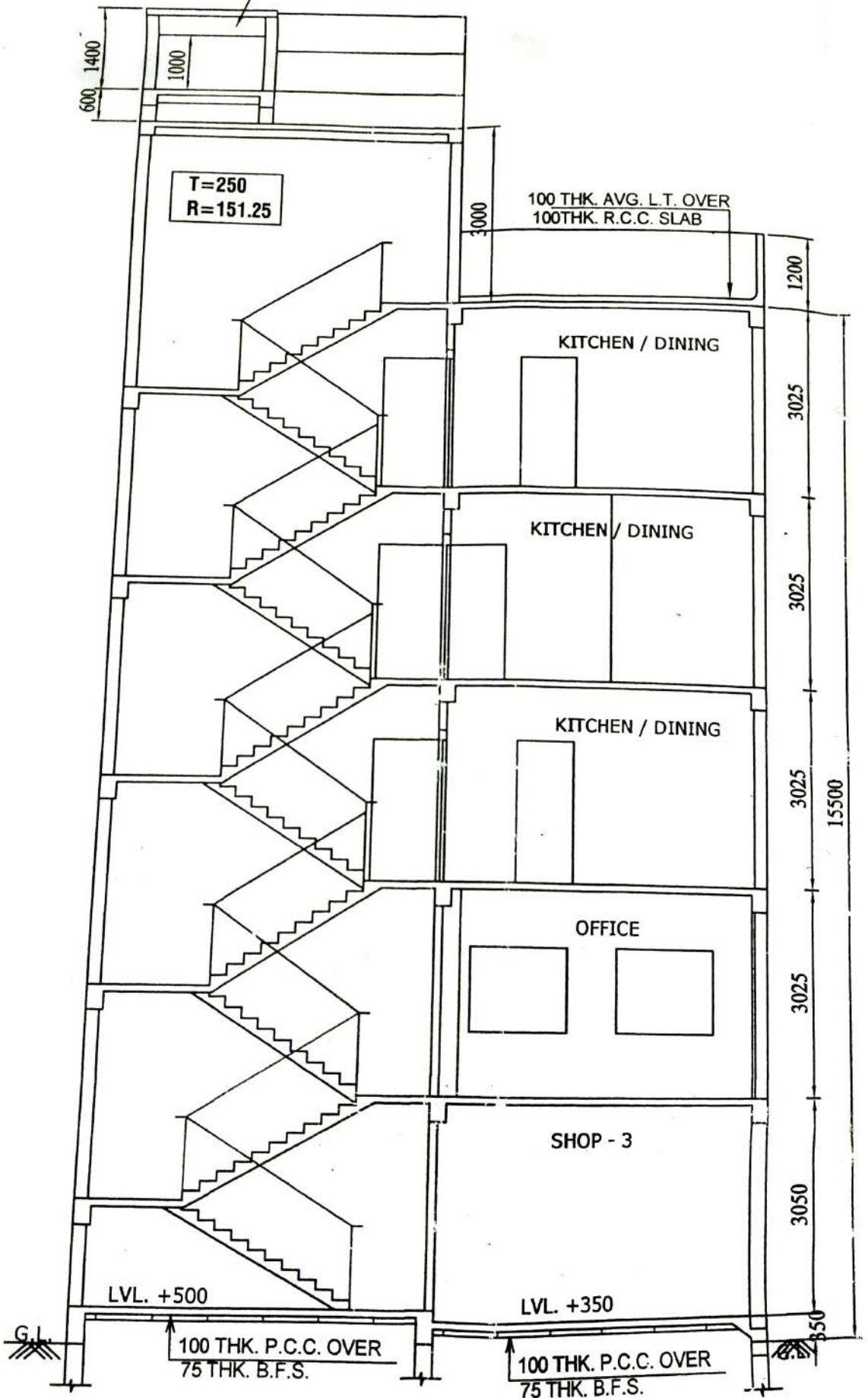
SECTION AT X-X'

SCALE :- 1 : 50



SECTION AT B-B
SCALE 1:100

O.H.W. RESERVOIR
CAPACITY
ABOVE 800 GALLON
(3150x1400x1400)

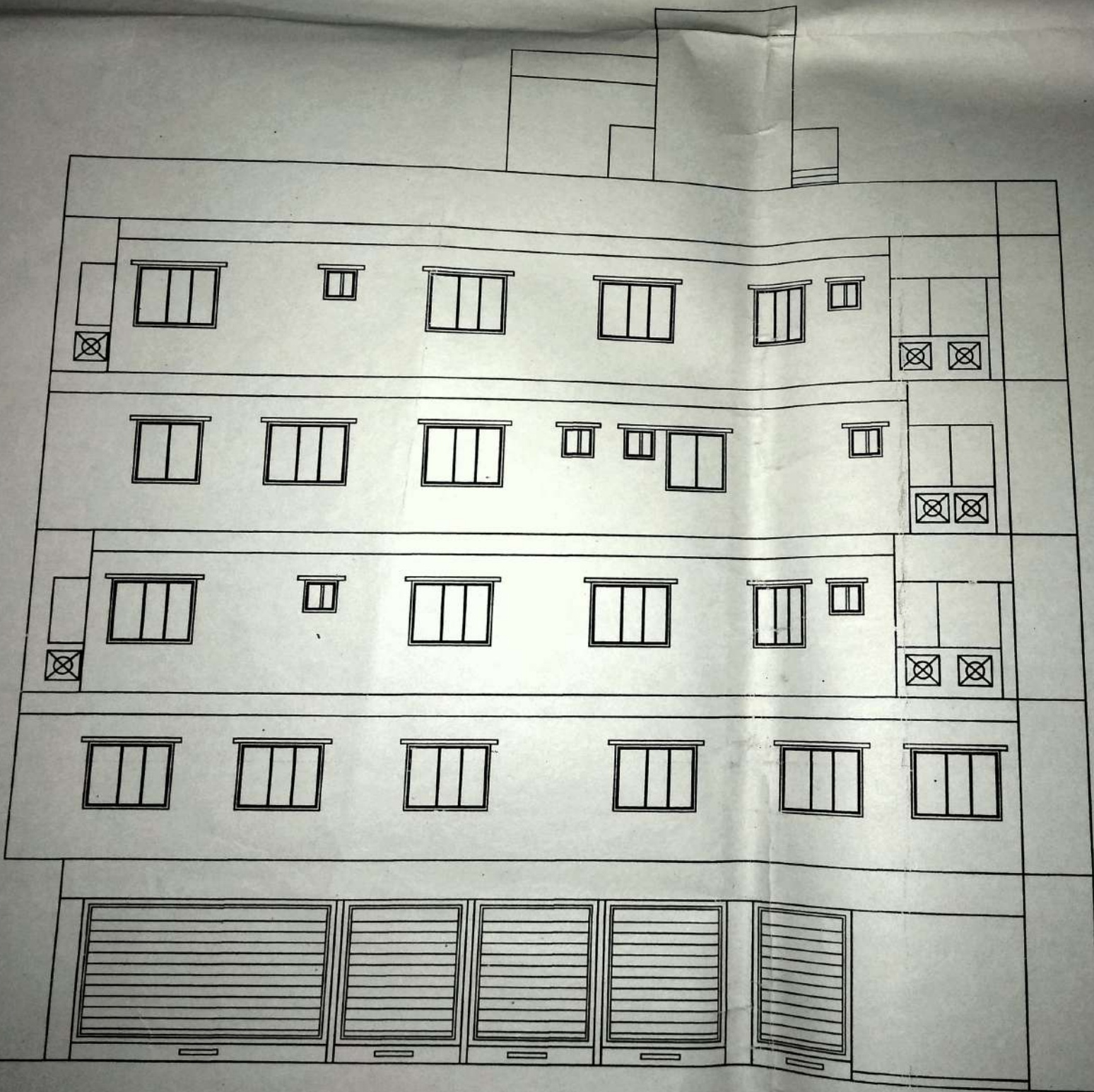


SECTION AT A-A

SCALE 1/100

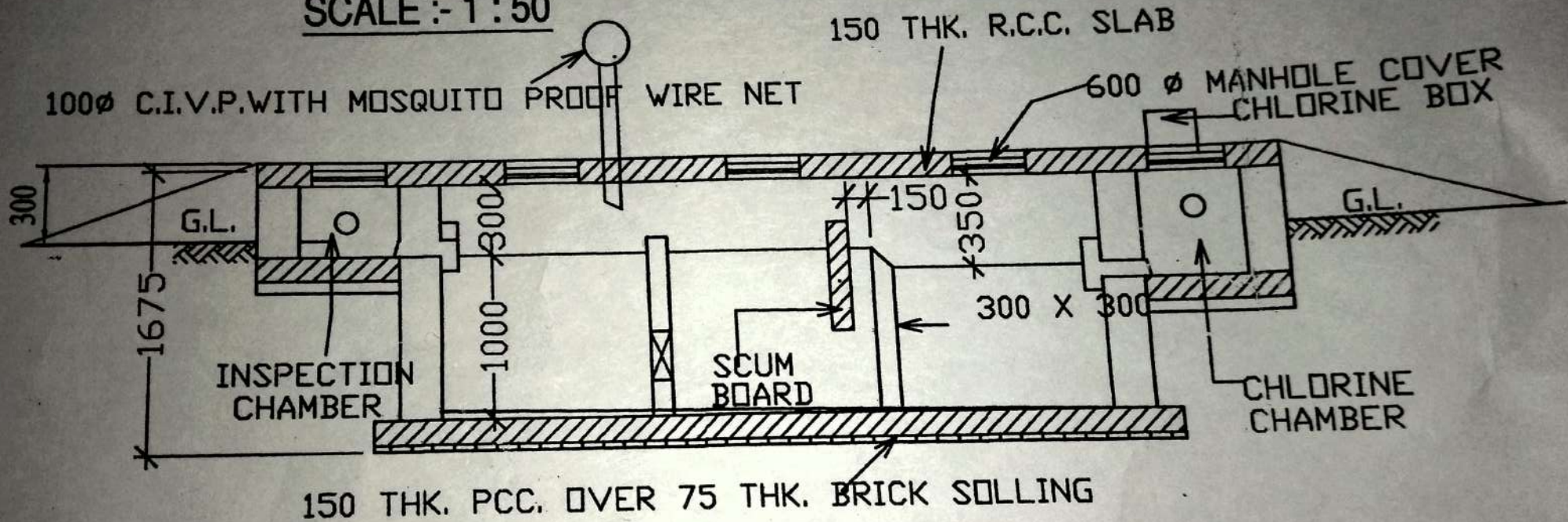
(II)

618 D.H. ROAD



FRONT ELEVATION
SCALE 1:100

SCALE :- 1 : 50

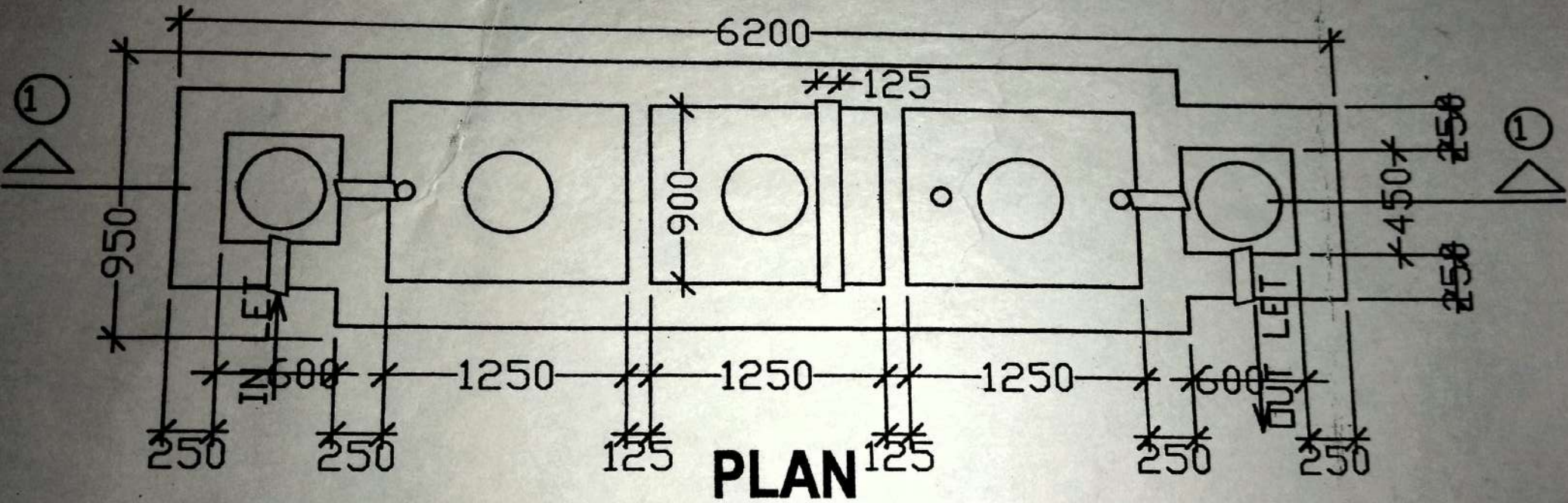


SECTION THROUGH 1 - 1 SCALE : 1 : 50

6200

150 THK. PCC. OVER 75 THK. BRICK SOLLING

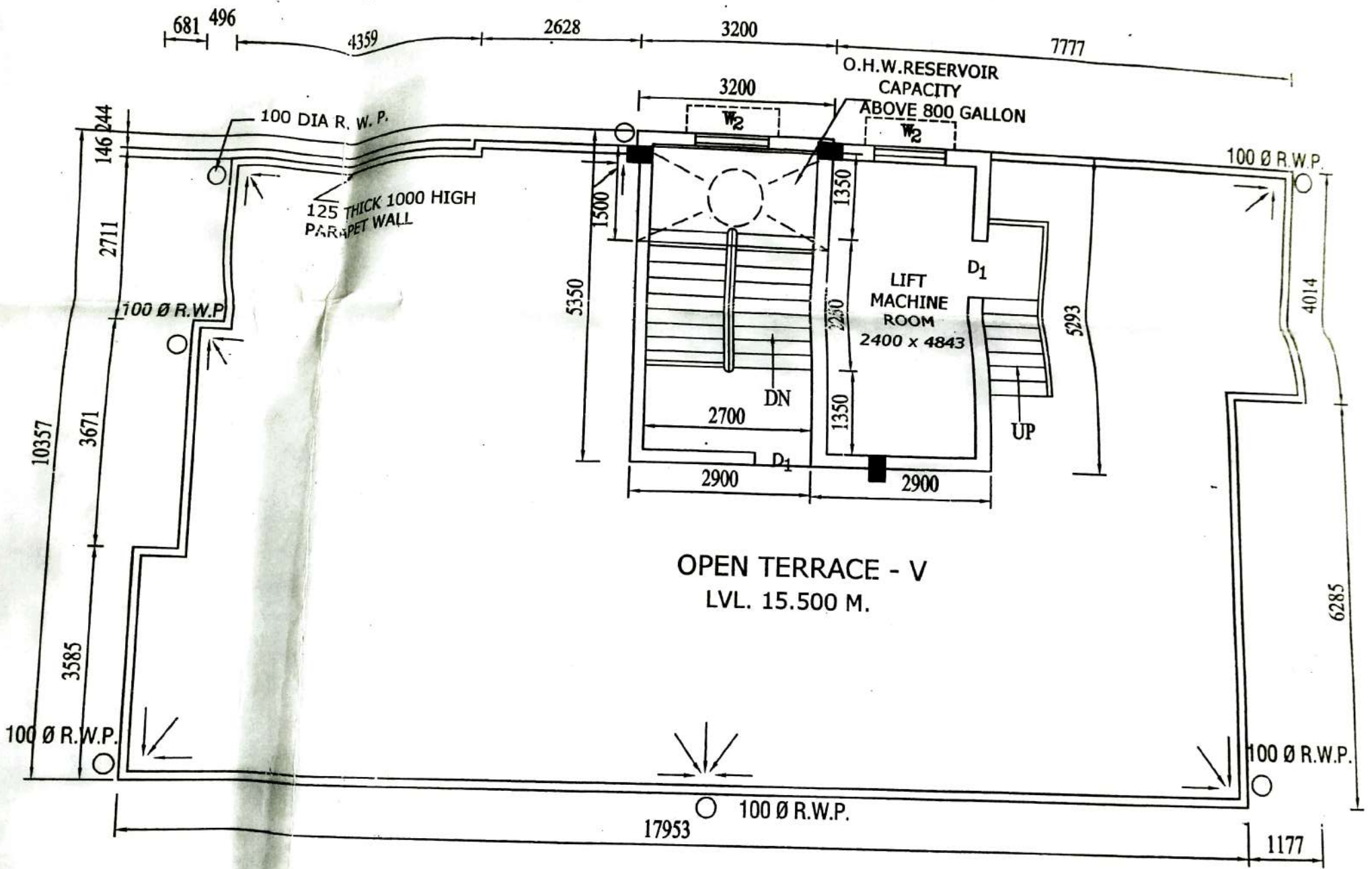
SECTION THROUGH 1 - 1 SCALE : 1 : 50



PLAN

DETAIL OF SEPTIC TANK (FOR 40 USERS)

SCALE : 1 : 50



ROOF PLAN
SCALE 1:100